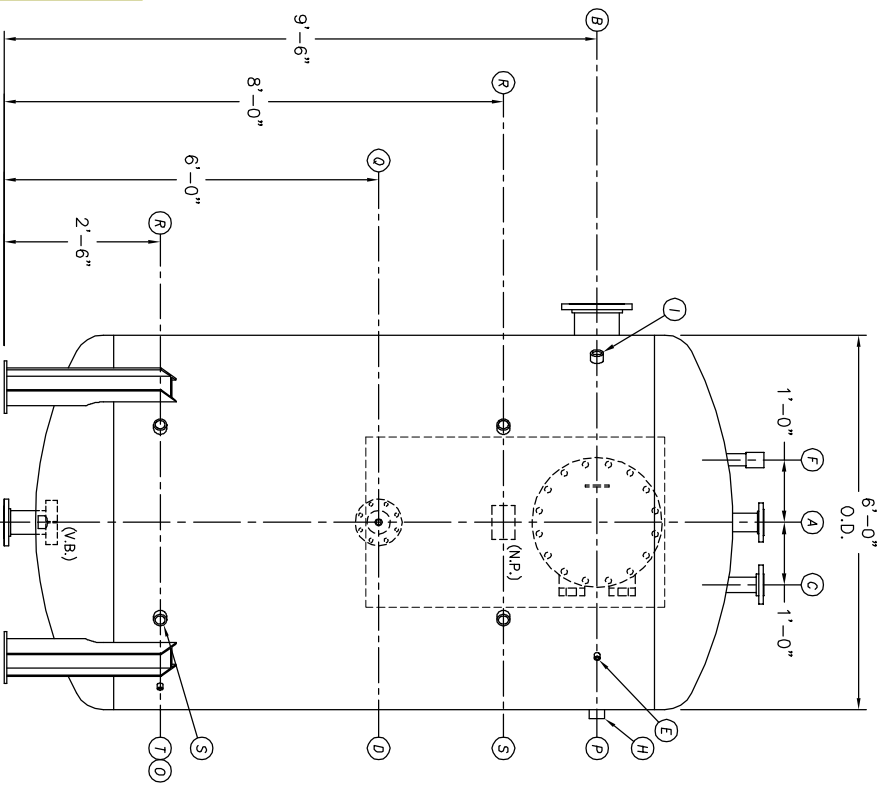
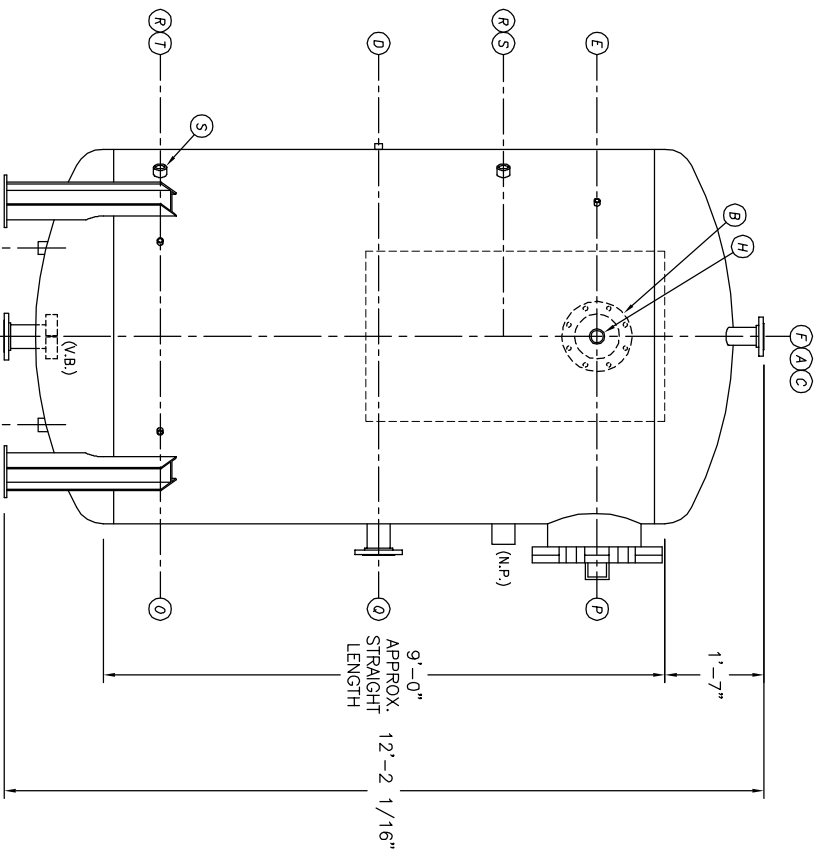


TOP VIEW



FRONT VIEW



END VIEW

- NOTES:**
1. SEE CONNECTION SCHEDULE FOR NOZZLE DESCRIPTIONS.
  2. STRAIGHT LENGTHS ARE APPROXIMATE. OVERALL LENGTH (OAL) IS TO BE HELD.
  3. FOR MISCELLANEOUS DETAILS SEE MD DRAWINGS
  4. DIMENSIONS ARE GIVEN FROM CENTER LINE OF TANKS TO NOZZLE CENTER LINE OR OUTSIDE FACE OF FLANGE.
  5. G.B. = GRAB BAR D.S. = DRIP SHIELD  
 V.B. = VORTEX BREAKER N.S. = NEAR SIDE  
 N.P. = NAME PLATE T.B. = TEE BARFLE  
 F.S. = FAR SIDE  $\phi$  = CENTER LINE

**NOTE:**  
 PUMP SUCTION NOZZLES  
 WILL BE ADDED TO MATCH  
 ANY PUMPS SUPPLIED BY KCD

CLIENT AND THE INFORMATION IT  
 HAVE BEEN FURNISHED FOR USE  
 BY OWN ORGANIZATION ONLY AND  
 NOT BE REPRODUCED OR COPIED  
 IN ANY MANNER WITHOUT THE  
 WRITTEN PERMISSION OF  
 KANSAS CITY DEAERATOR CO.,  
 6731 W. 121st STREET  
 OVERLAND PARK, KANSAS 66209  
 (913) 338-2111 FAX (913) 338-2144

NO.	DATE	DESCRIPTION OF CHANGE
-	-	-
-	-	-
-	-	-

CLIENT:		KANSAS CITY DEAERATOR CO.	
JOB #		SCALE	DESIGNED
STD	NTS	MK	GENI
TITLE:		PC	DATE
MODEL: VTP93-6009-10		1-13	1-13
DWG. NO.:		2004	2004
VTP093-6009-10		UTD	