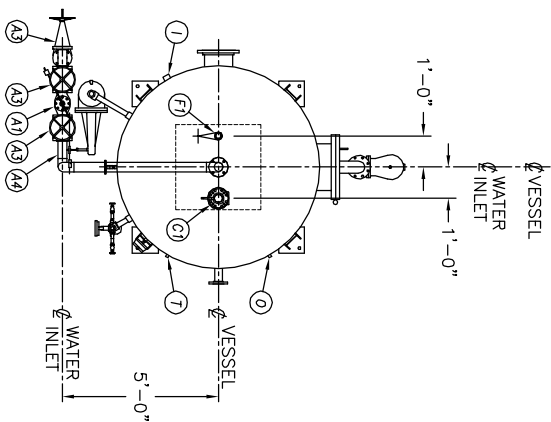
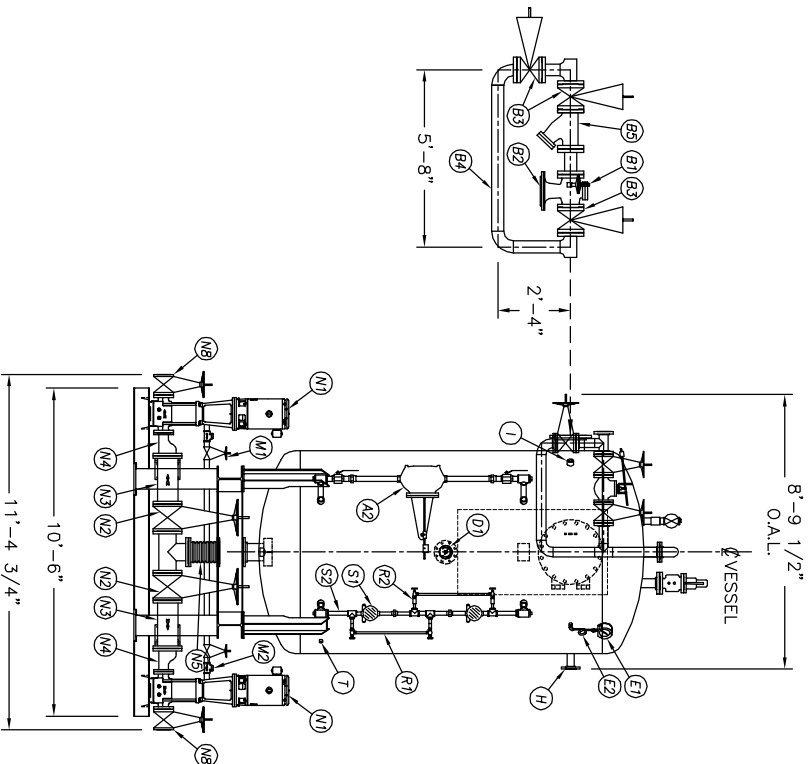


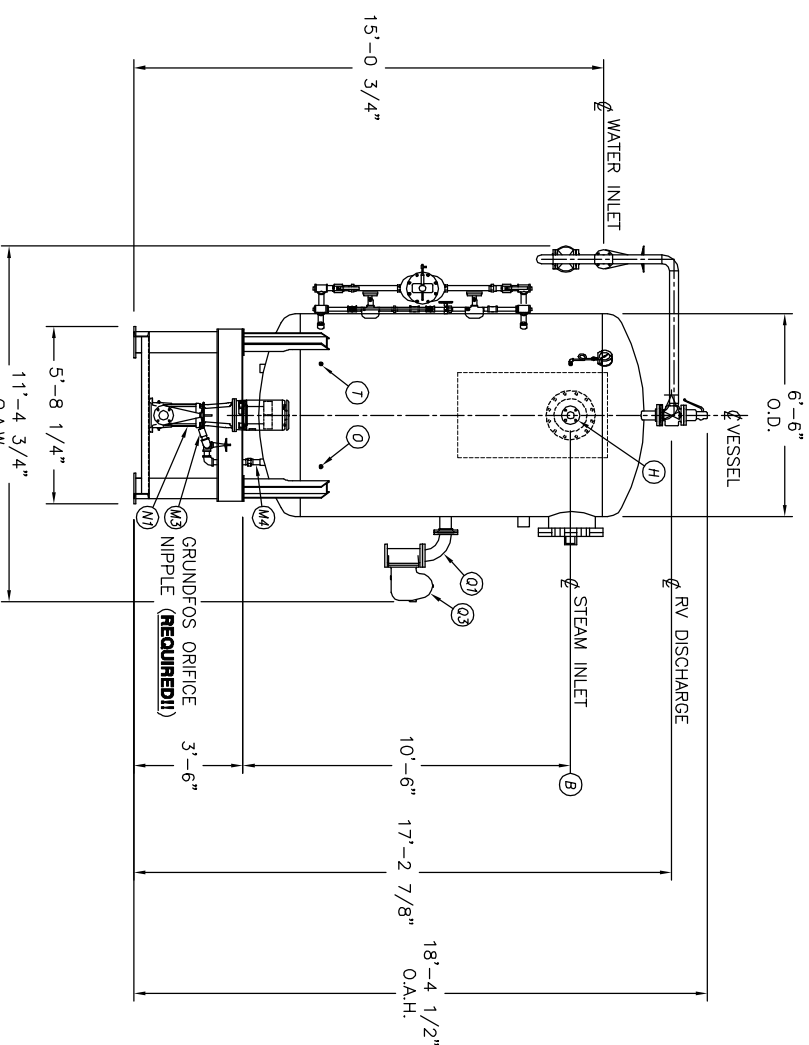
UMENT AND THE INFORMATION IT
HAVE BEEN FURNISHED FOR USE
BY YOUR OWN ORGANIZATION ONLY AND
NOT FOR REPRODUCTION OR TRANSMISSION
IN ANY MANNER WITHOUT THE WRITTEN
CONSENT OF KANSAS CITY DEAERATOR CO.,
1000 OVERLAND PARK, KANSAS 66209



TOP VIEW



FRONT VIEW



END VIEW

A1	INLET VALVE					
A2	CONTROLLER				NONE	
A3	3 BYPASS VALVES	2			NIBCO	T-111
A4	1 MAKE UP BY-PASS PIPING	2			KOD SHOP	
A5	STRAINER				NONE	
B1	STEAM PRV				NONE	
B2	STEAM CONTROLLER				NONE	
B3	BYPASS VALVES				NONE	
B4	STEAM PRV BY-PASS PIPING				NONE	
B5	1 STRAINER	3			MUELLER	782
C1	RELIEF VALVE				NONE	
C2	RELIEF VALVE PIPING				NONE	
D1	THERMOWELL				NONE	
E1	PRESSURE GAUGE				NONE	
E2	SIPHON & COCK				NONE	
E3	PRESSURE TRANS				NONE	
F1	VENT VALVE				NONE	
F2	1 ORIFICE PLATES	#N/A			#N/A	
F3	BYPASS VALVES				NONE	
F4	IMV SPARE GASKETS				NONE	
G1	IMV SPARE GASKETS				NONE	
H1	VACUUM BREAKER				NONE	
M1	BFP RECIRC SHUTTOFF				NONE	
M2	BFP RECIRC CHECK				NONE	
M3	BFP ORIFICE / VALVE				NONE	
M4	BFP PIPING				NONE	
M5	BFP PRESSURE GAUGE	4			GRUNDFOS	CR60-50U
M6	2 BOILER FEED PUMPS	4			NIBCO	F817.0
N2	ISOLATION VALVE	4			MUELLER	788
N3	2 STRAINER	4			KOD SHOP	
N4	2 PIPING	4				
N5	2 EXPANSION JOINT	4				
N6	BFP DISC PRESSURE GAUGE					
N7	BFP DISC CHECK					
N8	BFP DISCH ISOLATION					
O	CHEMICAL FEED QUILL				NONE	
P	IMV SPARE GASKETS					
Q1	OVERFLOW VALVE				NONE	
Q2	CONTROLLER				NONE	
Q3	OVERFLOW PIPING				NONE	
R1	LEVEL SWITCHES				NONE	
R2	1 LEVEL SWITCH BRIDLE PIPING	1 1/2			NIBCO	T-111
S1	1 GAUGE GLASS				NONE	
S2	1 GAUGE GLASS BRIDLE PIPING	1 1/2			NIBCO	T-111
T1						
2	CONTROL PANEL					
	STARTERS				NONE	
1	PUMP STAND				14.2	

NOTE:
CUSTOMER TO FIELD ALIGN PUMPS
AND MOTORS, THEN SEND KOD
CERTIFICATION PAPERS.

NO.	DATE	DESCRIPTION OF CHANGE
-	-	-
-	-	-
-	-	-
-	-	-
BY		

CLIENT:
KANSAS CITY DEAERATOR CO.
6731 W. 121st STREET
OVERLAND PARK, KANSAS 66209
(913) 338-2111 FAX (913) 338-2144

JOB #	SCALE	DESIGNED	DRAWN	CHECKED	DATE	UTD
STD	NTS	MK	GENI	PC	1-15 2004	1-15 2004
TITLE: GENERAL ARRANGEMENT						
MODEL: VTP93-6510-10-CR45-3						
DWG. NO.: VTP093-6510-10-CR45-3						