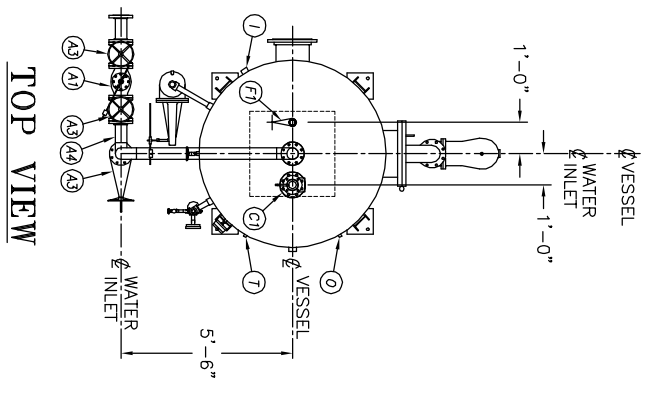
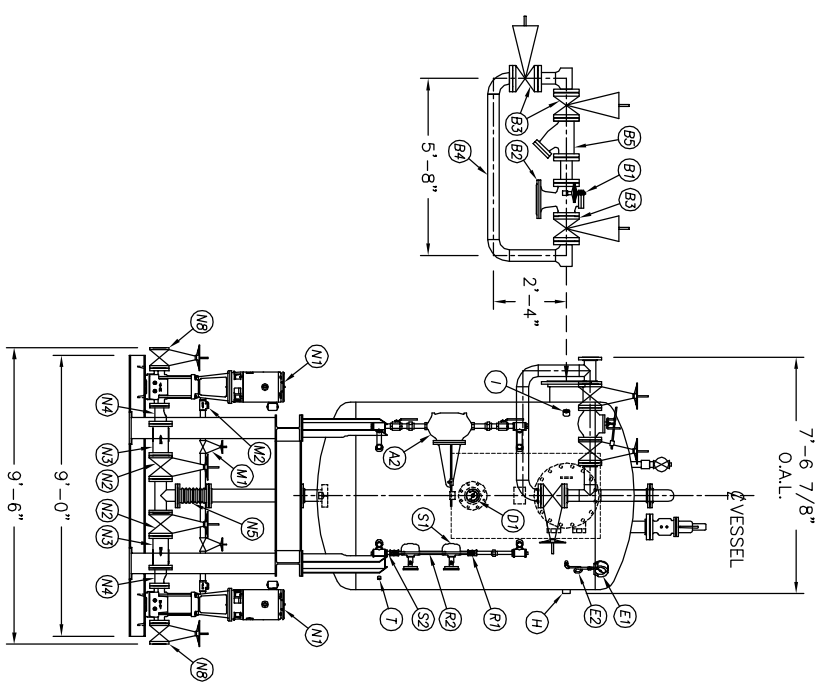


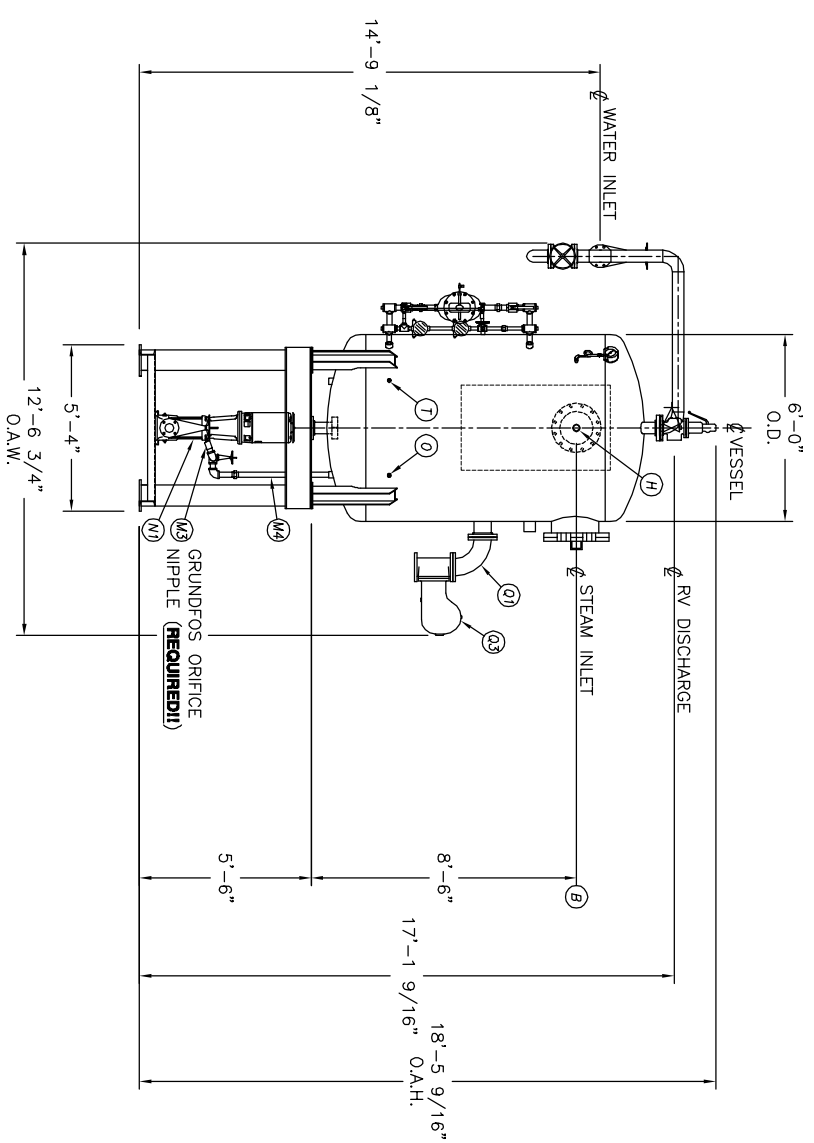
UMENT AND THE INFORMATION IT
HAVE BEEN FURNISHED FOR USE
BY OWN ORGANIZATION ONLY AND
NOT BE REPRODUCED OR TRANSMITTED
IN ANY FORM OR BY ANY MEANS
ELECTRONIC OR MECHANICAL,
INCLUDING PHOTOCOPYING, RECORDING,
OR BY ANY INFORMATION STORAGE
AND RETRIEVAL SYSTEM, WITHOUT
THE WRITTEN PERMISSION OF
KANSAS CITY DEAERATOR CO.,
2140 LAND PARK, KANSAS 66209



FRONT VIEW



END VIEW



| | | | | | |
|----|------------------------------|-------|------|----------|----------|
| A1 | INLET VALVE | | | NONE | |
| A2 | CONTROL VALVE | | | NONE | |
| A3 | 3 BYPASS VALVES | 2 | | NIBCO | T-111 |
| A4 | 1 MAKE UP BY-PASS PIPING | 2 | | KOD SHOP | |
| A5 | STRAINER | | | NONE | |
| B1 | STEAM PRV | | | NONE | |
| B2 | STEAM CONTROLLER | | | NONE | |
| B3 | BYPASS VALVES | | | NONE | |
| B4 | STEAM PRV BY-PASS PIPING | | | NONE | |
| B5 | 1 STRAINER | 3 | | MUELLER | 752 |
| C1 | RELIEF VALVE | | | NONE | |
| C2 | RELIEF VALVE PIPING | | | NONE | |
| D1 | THERMOWELL | | | NONE | |
| E1 | PRESSURE GAUGE | | | NONE | |
| E2 | SIPHON & COCK | | | NONE | |
| E3 | PRESSURE TRANS | | | NONE | |
| F1 | VENT VALVE | | | NONE | |
| F2 | 1 ORIFICE PLATES | #N/A | | #N/A | |
| F3 | BYPASS VALVES | | | NONE | |
| F4 | VENT PIPING | | | NONE | |
| G1 | IMV SPARE GASKETS | | | NONE | |
| H1 | VACUUM BREAKER | | | NONE | |
| M1 | BFP RECIRC SHUTTOFF | | | | |
| M2 | BFP RECIRC CHECK | | | | |
| M3 | BFP ORIFICE / VALVE | | | | |
| M4 | BFP PIPING | | | NONE | |
| M5 | BFP PRESSURE GAUGE | 4 | | GRUNDFOS | CR60-50U |
| M1 | 2 BOILER FEED PUMPS | 4 | | NIBCO | F817.0 |
| N2 | ISOLATION VALVE | 4 | | MUELLER | 758 |
| N3 | 2 STRAINER | 4 | | KOD SHOP | |
| N4 | 2 PIPING | 4 | | | |
| N5 | 2 EXPANSION JOINT | | | | |
| N6 | BFP DISC PRESSURE GAUGE | | | | |
| N7 | BFP DISC CHECK | | | | |
| N8 | BFP DISCH ISOLATION | | | | |
| O | CHEMICAL FEED QUILL | | | NONE | |
| P | IMV SPARE GASKETS | | | | |
| Q1 | OVERFLOW VALVE | | | NONE | |
| Q2 | CONTROL VALVE | | | NONE | |
| Q3 | OVERFLOW PIPING | | | NONE | |
| R1 | LEVEL SWITCHES | 1 | | NONE | |
| R2 | 1 LEVEL SWITCH BRIDLE PIPING | 1 1/2 | | NIBCO | T-111 |
| S1 | 1 GAUGE GLASS | | | NONE | |
| S2 | 1 GAUGE GLASS BRIDLE PIPING | 1 1/2 | | NIBCO | T-111 |
| T1 | | | | | |
| 2 | CONTROL PANEL STARTERS | | NONE | | |
| 1 | PUMP STAND | | 14.2 | | |

NOTES:
1. CUSTOMER TO FIELD ALIGN PUMPS AND MOTORS, THEN SEND KOD CERTIFICATION PAPERS.
2. GROUT STAND AS NECESSARY.

| | | | |
|-----|------|-----------------------|----|
| NO. | DATE | DESCRIPTION OF CHANGE | BY |
| - | - | - | - |
| - | - | - | - |
| - | - | - | - |

| | | | | |
|-----------------------------|-----------|----------|-------|---------|
| CLIENT: | | | | |
| JOB # | SCALE | DESIGNED | DRAWN | CHECKED |
| STD | NTS | MK | GENI | PC |
| TITLE: GENERAL ARRANGEMENT | | | | |
| MODEL: VTP93-6008-05-CR45-3 | | | | |
| DWG. NO.: | DATE | | | |
| VTP093-6008-05-CR45-3 | 1-16 2004 | | | |
| | UTD | | | |
| | 1-16 2004 | | | |

KANSAS CITY DEAERATOR CO.
6731 W. 121st STREET
OVERLAND PARK, KANSAS 66209
(913) 338-2111 FAX (913) 338-2144