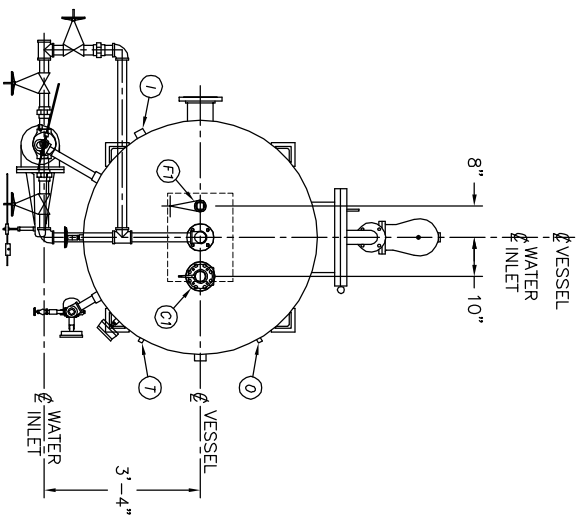
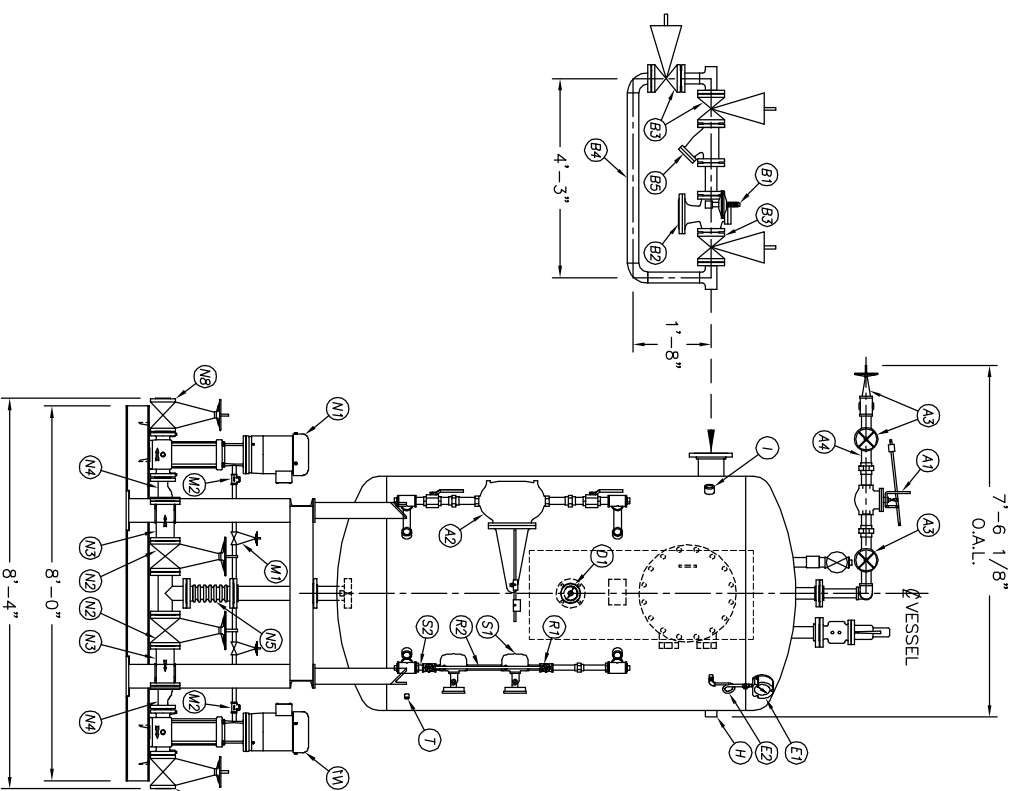


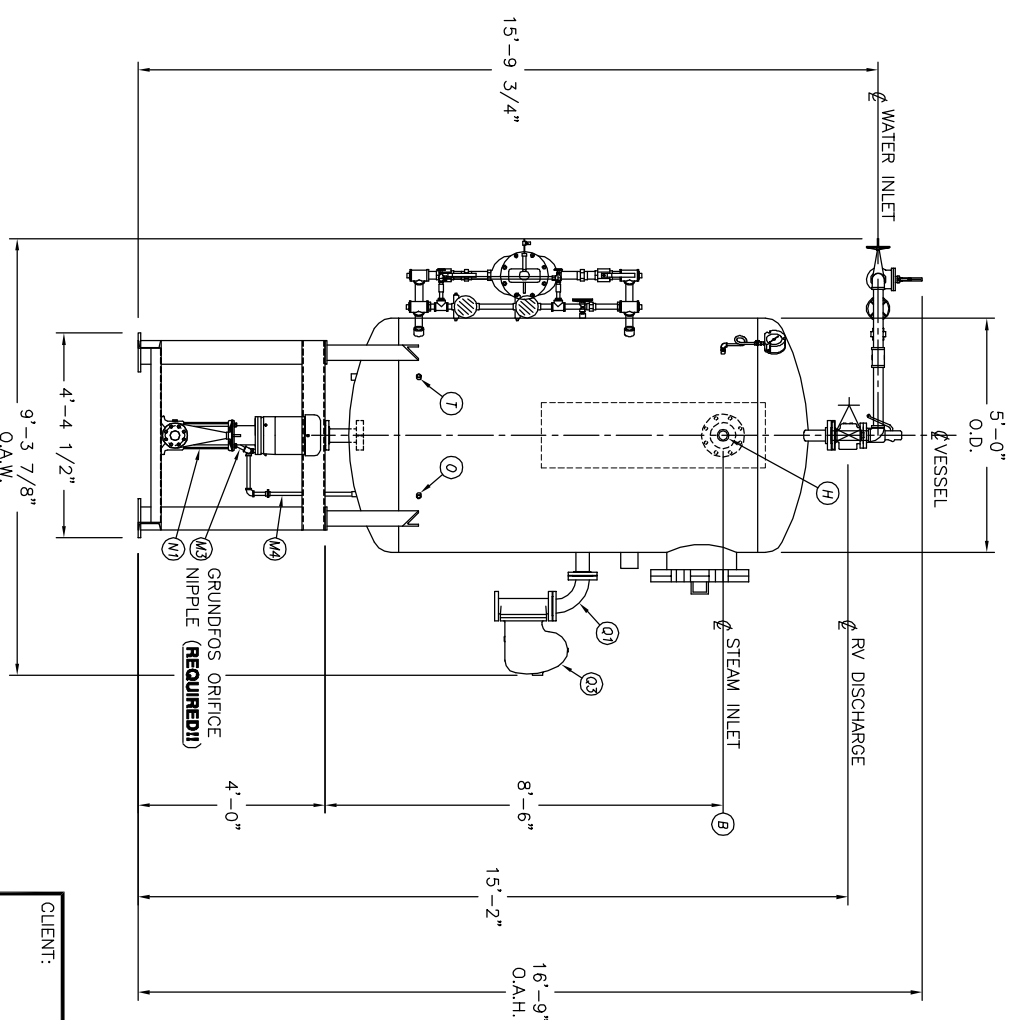
UMENT AND THE INFORMATION IT
HAVE BEEN FURNISHED FOR USE
BY OWN ORGANIZATION ONLY AND
NOT BE REPRODUCED OR TRANSMITTED
IN ANY FORM OR BY ANY MEANS
ELECTRONIC OR MECHANICAL,
INCLUDING PHOTOCOPYING, RECORDING,
OR BY ANY INFORMATION STORAGE
AND RETRIEVAL SYSTEM, WITHOUT
THE WRITTEN PERMISSION OF
KANSAS CITY DEAERATOR CO.,
2400 PARK, KANSAS 66209



TOP VIEW



FRONT VIEW



END VIEW

A1	INLET VALVE	NONE		
A2	CONTROL VALVE	NONE		
A3	3 BYPASS VALVES	NIBCO		T-111
A4	1 MAKE UP BY-PASS PIPING	KOD SHOP		
A5	STRAINER	NONE		
B1	STEAM PRV	NONE		
B2	STEAM CONTROLLER	NONE		
B3	BYPASS VALVES	NONE		
B4	STEAM PRV BY-PASS PIPING	NONE		
B5	1 STRAINER	MUELLER		752
C1	RELIEF VALVE	NONE		
C2	RELIEF VALVE PIPING	NONE		
D1	THERMOWELL	NONE		
E1	PRESSURE GAUGE	NONE		
E2	SIPHON & COCK	NONE		
E3	PRESSURE TRANS	NONE		
F1	VENT VALVE	NONE		
F2	1 ORIFICE PLATES	#N/A		
F3	BYPASS VALVES	NONE		
F4	VENT PIPING	NONE		
G1	IMV SPARE GASKETS	NONE		
H1	VACUUM BREAKER	NONE		
M1	BFP RECIRC SHUTTOFF			
M2	BFP RECIRC CHECK			
M3	BFP ORIFICE / VALVE			
M4	BFP PIPING	NONE		
M5	BFP PRESSURE GAUGE			
M6	BFP PRESSURE GAUGE			
M7	BOILER FEED PUMPS	GRUNDFOSS		GR80-50U
N1	2 ISOLATION VALVE	NIBCO		F817.0
N2	2 STRAINER	MUELLER		758
N3	2 STRAINER			
N4	2 PIPING			
N5	2 EXPANSION JOINT			
N6	BFP DISC PRESSURE GAUGE			
N7	BFP DISC CHECK			
N8	BFP DISCH ISOLATION			
O	CHEMICAL FEED QUILL	NONE		
P	IMV SPARE GASKETS			
Q1	OVERFLOW VALVE	NONE		
Q2	CONTROL VALVE	NONE		
Q3	OVERFLOW PIPING	NONE		
R1	LEVEL SWITCHES	NONE		
R2	1 LEVEL SWITCH BRIDLE PIPING	1 1/2 NIBCO		T-111
S1	1 GAUGE GLASS	NONE		
S2	1 GAUGE GLASS BRIDLE PIPING	1 1/2 NIBCO		T-111
T1				
2	CONTROL PANEL STARTERS	NONE		
1	PUMP STAND	14.2		

NOTES:
1. CUSTOMER TO FIELD ALIGN PUMPS AND MOTORS, THEN SEND KCD CERTIFICATION PAPERS.
2. GROUT STAND AS NECESSARY.

NO.	DATE	DESCRIPTION OF CHANGE	BY
-	-	-	-
-	-	-	-
-	-	-	-

CLIENT:
KANSAS CITY DEAERATOR CO.
6731 W. 121st STREET
OVERLAND PARK, KANSAS 66209
(913) 338-2111 FAX (913) 338-2144

JOB #	SCALE	DESIGNED	DRAWN	CHECKED	DATE	UTD
STD	NTS	MK	GENI	PC	12-17 2003	12-17 2003

TITLE: **GENERAL ARRANGEMENT**

MODEL: VSP-5008-040

DWG. NO.: **VTP5008-040-CR45-3**