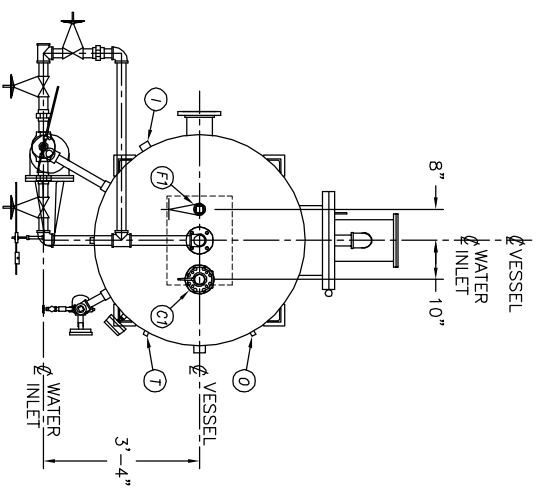
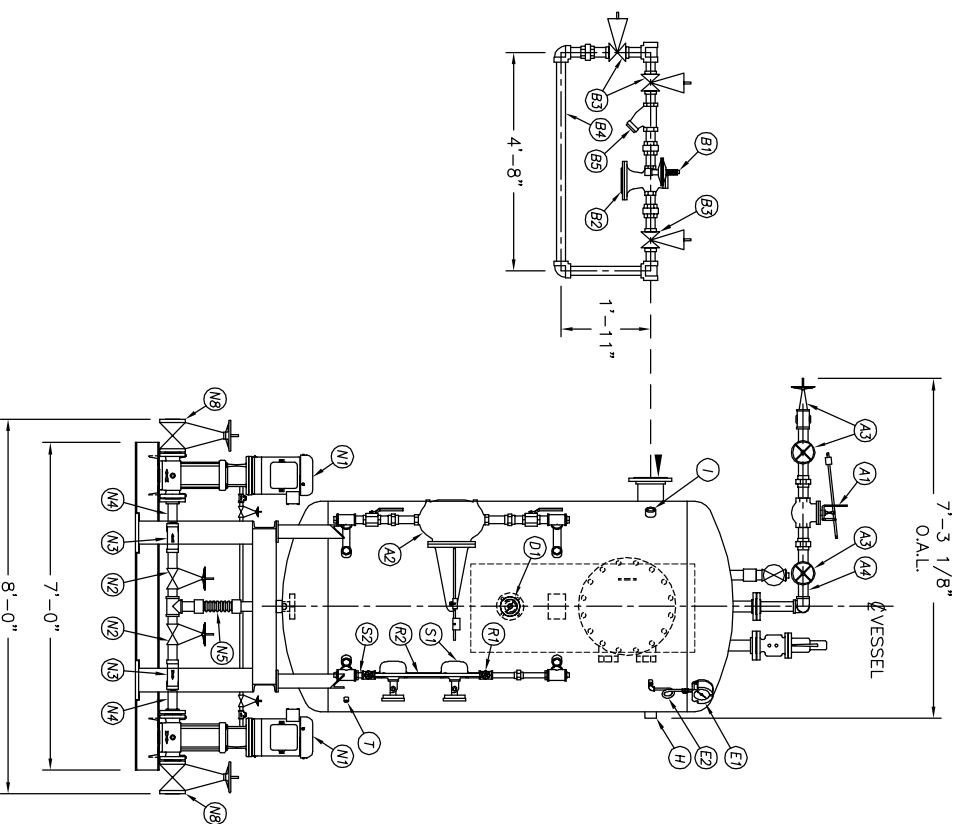


UMENT AND THE INFORMATION IT  
HAVE BEEN FURNISHED FOR USE  
BY YOUR OWN ORGANIZATION ONLY AND  
NOT FOR REPRODUCTION OR TRANSMISSION  
IN ANY MANNER WITHOUT THE WRITTEN  
CONSENT OF KANSAS CITY DEAERATOR CO.,  
1211 OVERLAND PARK, KANSAS 66209

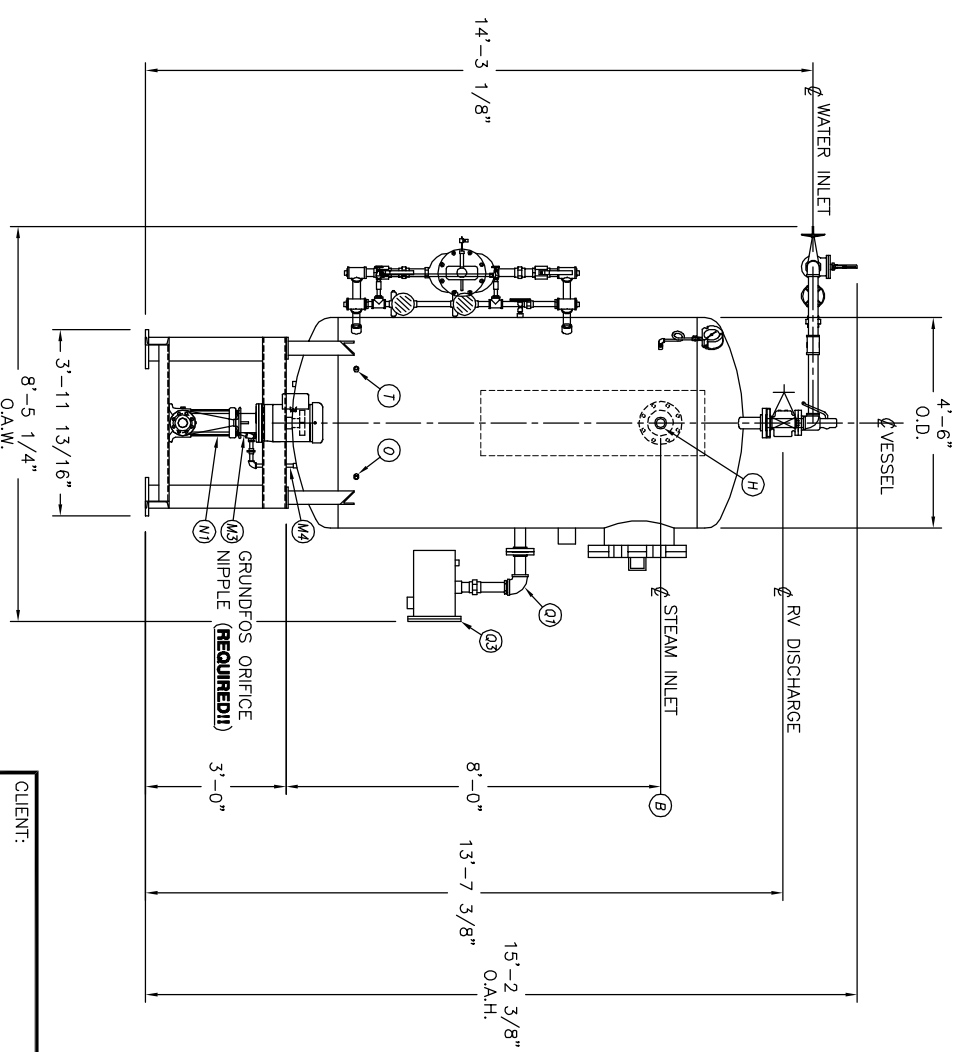
NO.	DATE	DESCRIPTION OF CHANGE
-	-	-
-	-	-
-	-	-
-	-	-



TOP VIEW



FRONT VIEW



END VIEW

A1	INLET VALVE	NONE	
A2	CONTROL VALVE	NONE	
A3	BYPASS VALVES	2	NIBCO
A4	MAKE UP BY-PASS PIPING	2	KOD SHOP
A5	STRAINER	NONE	
B1	STEAM PRV	NONE	
B2	STEAM CONTROLLER	NONE	
B3	BYPASS VALVES	NONE	
B4	STEAM PRV BY-PASS PIPING	NONE	
B5	STRAINER	3	MUELLER
C1	RELIEF VALVE	NONE	
C2	RELIEF VALVE PIPING	NONE	
D1	THERMOWELL	NONE	
E1	PRESSURE GAUGE	NONE	
E2	SIPHON & COCK	NONE	
E3	PRESSURE TRANS	NONE	
F1	VENT VALVE	NONE	
F2	ORIFICE PLATES	#N/A	
F3	BYPASS VALVES	NONE	
F4	VENT PIPING	NONE	
G1	IMV SPARE GASKETS	NONE	
H1	VACUUM BREAKER	NONE	
M1	BFP RECIRC SHUTTOFF		
M2	BFP RECIRC CHECK		
M3	BFP ORIFICE / VALVE		
M4	BFP PIPING	NONE	
M5	BFP PRESSURE GAUGE	4	GRUNDFOS
M6	BOILER FEED PUMPS	4	NIBCO
N2	ISOLATION VALVE	4	MUELLER
N3	STRAINER	4	KOD SHOP
N4	PIPING	4	
N5	EXPANSION JOINT	4	
N6	BFP DISC PRESSURE GAUGE		
N7	BFP DISC CHECK		
N8	BFP DISCH ISOLATION		
O	CHEMICAL FEED QUILL	NONE	
P	IMV SPARE GASKETS		
Q1	OVERFLOW VALVE	NONE	
Q2	CONTROL VALVE	NONE	
Q3	OVERFLOW PIPING	NONE	
R1	LEVEL SWITCHES	NONE	
R2	LEVEL SWITCH BRIDLE PIPING	1 1/2	NIBCO
S1	GAUGE GLASS	NONE	
S2	GAUGE GLASS BRIDLE PIPING	1 1/2	NIBCO
T1			T-111
2	CONTROL PANEL		
	STARTERS	NONE	
1	PUMP STAND	14.2	

**NOTES:**  
1. CUSTOMER TO FIELD ALIGN PUMPS AND MOTORS, THEN SEND KOD CERTIFICATION PAPERS.  
2. GROUT STAND AS NECESSARY.

CLIENT:	KANSAS CITY DEAERATOR CO. 6731 W. 121st STREET OVERLAND PARK, KANSAS 66209 (913) 338-2111 FAX (913) 338-2144					
JOB #	SCALE	DESIGNED	DRAWN	CHECKED	DATE	UTD
STD	NTS	MK	GENI	PC	1-21 2004	1-21 2004
TITLE: GENERAL ARRANGEMENT						
MODEL: VTP32-4508-10-CR16-50						
DWG. NO.: VTP032-4508-10-CR16-50						