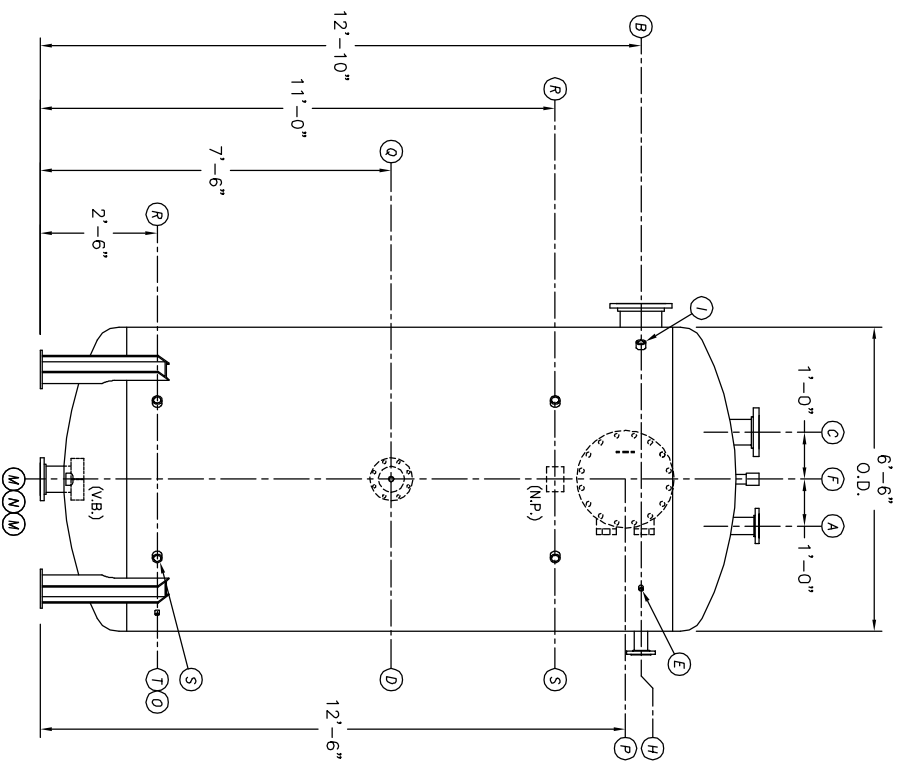
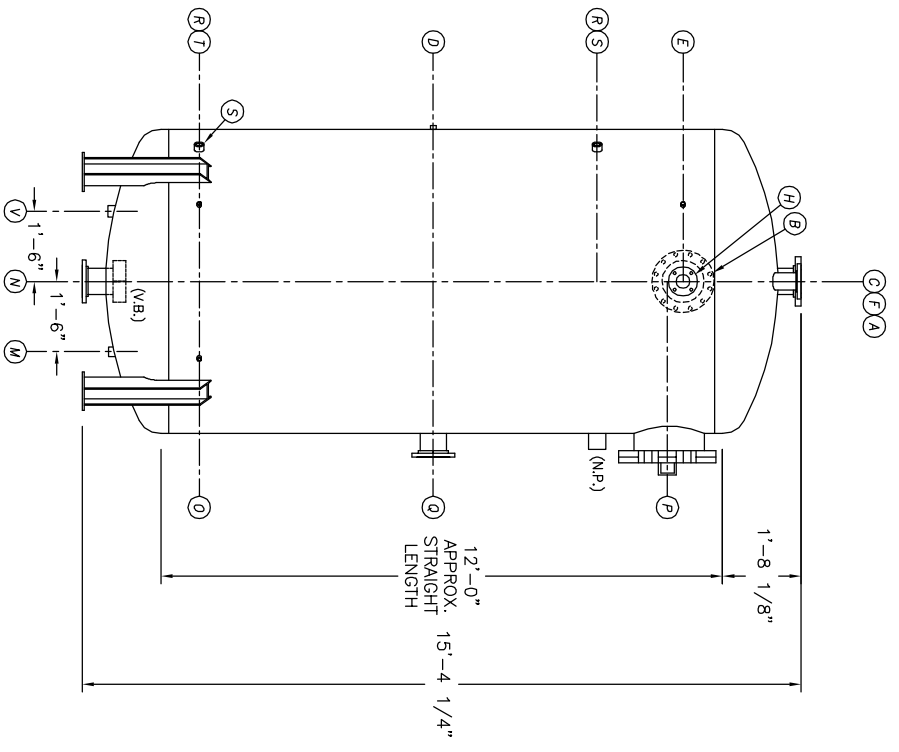


TOP VIEW



FRONT VIEW



END VIEW

- NOTES:**
- SEE CONNECTION SCHEDULE FOR NOZZLE DESCRIPTIONS.
  - STRAIGHT LENGTHS ARE APPROXIMATE. OVERALL LENGTH (OAL) IS TO BE HELD.
  - FOR MISCELLANEOUS DETAILS SEE MD DRAWINGS
  - DIMENSIONS ARE GIVEN FROM CENTER LINE OF TANKS TO NOZZLE CENTER LINE OR OUTSIDE FACE OF FLANGE.
  - G.B. = GRAB BAR D.S. = DRIP SHIELD  
V.B. = VORTEX BREAKER N.S. = NEAR SIDE  
N.P. = NAME PLATE T.B. = TEE BATTLE  
F.S. = FAR SIDE  $\phi$  = CENTER LINE

**NOTE:**  
PUMP SUCTION NOZZLES  
WILL BE ADDED TO MATCH  
ANY PUMPS SUPPLIED BY KCD

UMENT AND THE INFORMATION IT  
HAVE BEEN FURNISHED FOR USE  
OWN ORGANIZATION ONLY AND  
RPOSE CONSISTENT WITH THE  
ON BETWEEN YOUR ORGANIZATION  
AS CITY DEAERATOR COMPANY.  
PIES OF OR DATA FROM THIS  
IT SHALL BE FURNISHED TO ANY  
PARTY WITHOUT THE WRITTEN  
OF KANSAS CITY DEAERATOR CO.,  
LAND PARK, KANSAS 66209

| NO. | DATE | DESCRIPTION OF CHANGE | BY |
|-----|------|-----------------------|----|
| -   | -    | -                     | -  |
| -   | -    | -                     | -  |
| -   | -    | -                     | -  |

CLIENT:

**KANSAS CITY DEAERATOR CO.**  
6731 W. 121st STREET  
OVERLAND PARK, KANSAS 66209  
(913) 338-2111 FAX (913) 338-2144

| JOB # | SCALE | DESIGNED | DRAWN | CHECKED | DATE       | UTD        |
|-------|-------|----------|-------|---------|------------|------------|
| STD   | NTS   | MK       | GENI  | PC      | 10-21 2003 | 10-21 2003 |

TITLE: **GENERAL ARRANGEMENT**

MODEL: VSP-6512-110

DWG. NO.: **VSP-6512-110**