

ALL INFORMATION CONTAINED HEREIN IS THE PROPERTY OF KANSAS CITY DEAERATOR CO. AND IS NOT TO BE REPRODUCED OR TRANSMITTED IN ANY FORM OR BY ANY MEANS, ELECTRONIC OR MECHANICAL, INCLUDING PHOTOCOPYING, RECORDING, OR BY ANY INFORMATION STORAGE AND RETRIEVAL SYSTEM. WITHOUT THE WRITTEN PERMISSION OF KANSAS CITY DEAERATOR CO., THIS DOCUMENT AND THE INFORMATION IT CONTAINS ARE NOT TO BE USED FOR ANY OTHER PURPOSES.

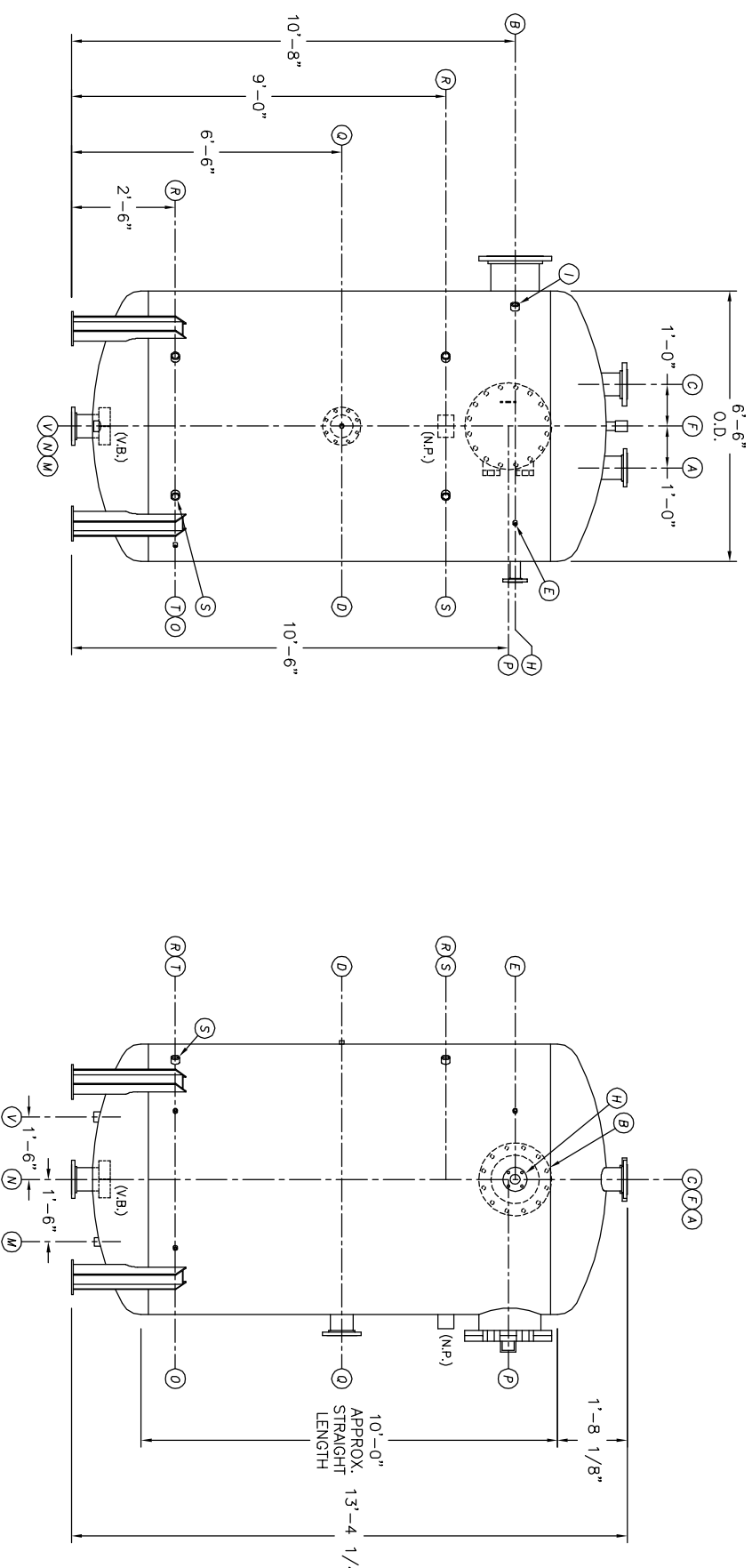
NO.	DATE	DESCRIPTION OF CHANGE
-	-	-
-	-	-
-	-	-
BY		

CLIENT:

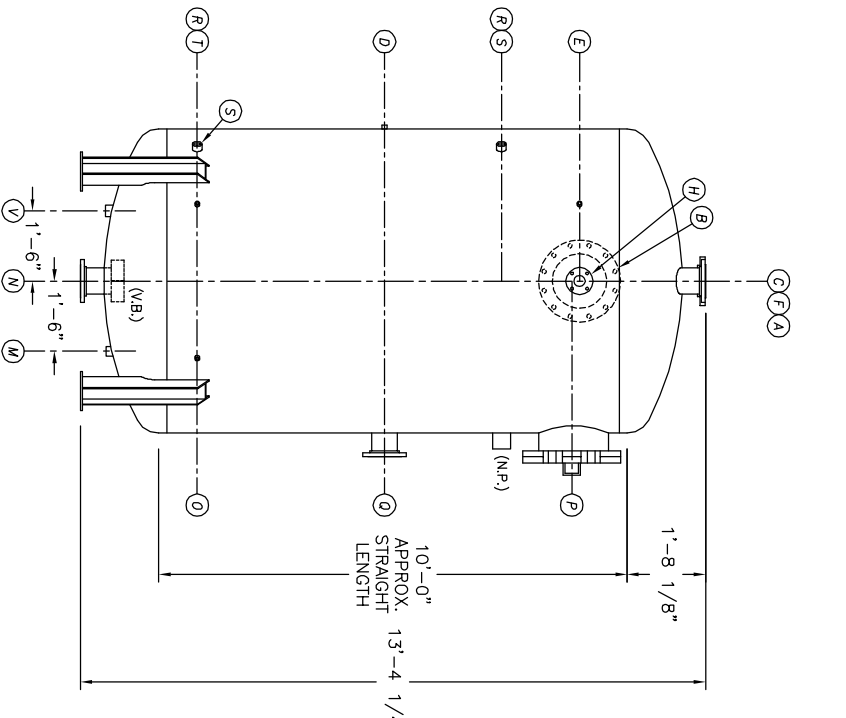
KANSAS CITY DEAERATOR CO.
6731 W. 121st STREET
OVERLAND PARK, KANSAS 66209
(913) 338-2111 FAX (913) 338-2144

JOB #	SCALE	DESIGNED	DRAWN	CHECKED	DATE	UTD
STD	NTS	MK	GENI	PC	10-20 2003	10-20 2003
TITLE: GENERAL ARRANGEMENT						
MODEL: VSP-6510-180						
DWG. NO.: VSP-6510-180						

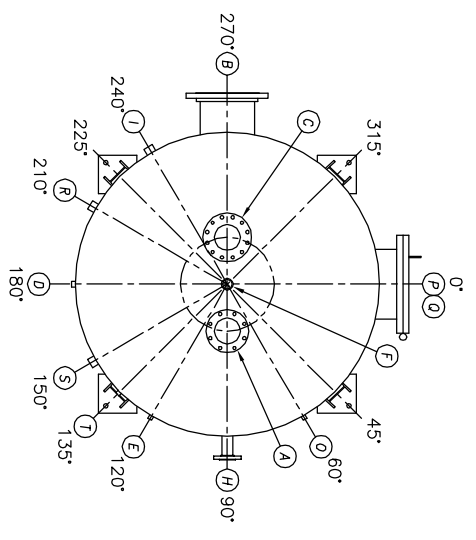
FRONT VIEW



END VIEW



TOP VIEW



NOTES:

- SEE CONNECTION SCHEDULE FOR NOZZLE DESCRIPTIONS.
- STRAIGHT LENGTHS ARE APPROXIMATE. OVERALL LENGTH (OAL) IS TO BE HELD.
- FOR MISCELLANEOUS DETAILS SEE MD DRAWINGS
- DIMENSIONS ARE GIVEN FROM CENTER LINE OF TANKS TO NOZZLE CENTER LINE OR OUTSIDE FACE OF FLANGE.
- G.B. = GRAB BAR
V.B. = VORTEX BREAKER
N.P. = NAME PLATE
F.S. = FAR SIDE
D.S. = DRIP SHIELD
N.S. = NEAR SIDE
T.B. = TEE BARFLE
CL = CENTER LINE

NOTE:
PUMP SUCTION NOZZLES WILL BE ADDED TO MATCH ANY PUMPS SUPPLIED BY KCD