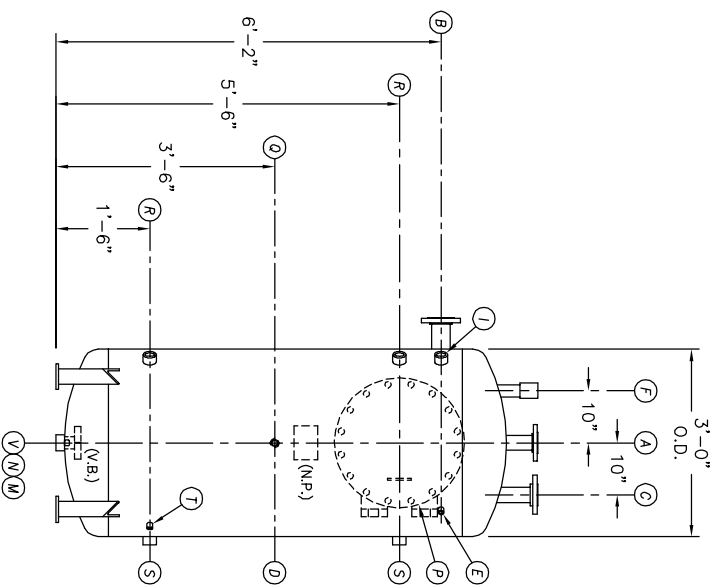
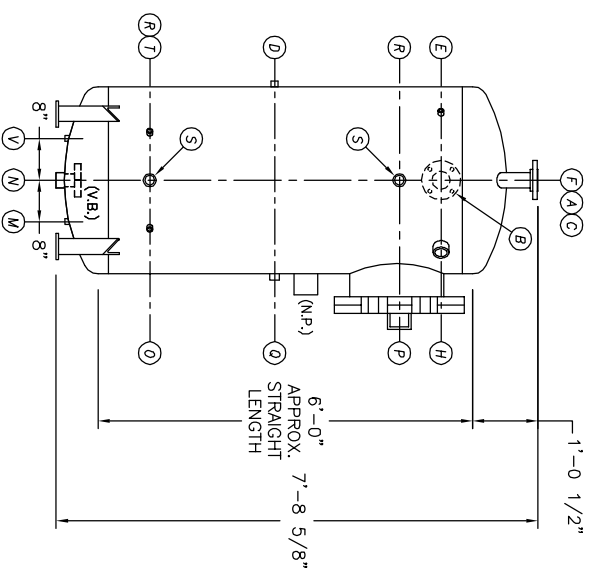


TOP VIEW



FRONT VIEW



END VIEW

- NOTES:**
- SEE CONNECTION SCHEDULE FOR NOZZLE DESCRIPTIONS.
 - STRAIGHT LENGTHS ARE APPROXIMATE. OVERALL LENGTH (OAL) IS TO BE HELD.
 - FOR MISCELLANEOUS DETAILS SEE MD DRAWINGS
 - DIMENSIONS ARE GIVEN FROM CENTER LINE OF TANKS TO NOZZLE CENTER LINE OR OUTSIDE FACE OF FLANGE.
 - G.B. = GRAB BAR D.S. = DRIP SHIELD
V.B. = VORTEX BREAKER N.S. = NEAR SIDE
N.P. = NAME PLATE T.B. = TEE BARFLE
F.S. = FAR SIDE ϕ = CENTER LINE

NOTE:
PUMP SUCTION NOZZLES
WILL BE ADDED TO MATCH
ANY PUMPS SUPPLIED BY KCD

UMENT AND THE INFORMATION IT
HAVE BEEN FURNISHED FOR USE
BY YOUR OWN ORGANIZATION ONLY AND
NOT BE REPRODUCED OR TRANSMITTED
IN ANY FORM OR BY ANY MEANS
ELECTRONIC OR MECHANICAL, INCLUDING
PHOTOCOPYING, RECORDING, OR BY
ANY INFORMATION STORAGE AND
RETRIEVAL SYSTEM, WITHOUT THE
WRITTEN PERMISSION OF KANSAS CITY
DEAERATOR CO., 66209

NO.	DATE	
-	-	-
-	-	-
-	-	-

DESCRIPTION OF CHANGE	

BY	

CLIENT:	

KANSAS CITY DEAERATOR CO.
6731 W. 121st STREET
OVERLAND PARK, KANSAS 66209
(913) 338-2111 FAX (913) 338-2144

JOB #	SCALE	DESIGNED	DRAWN	CHECKED	DATE	UTD
STD	NTS	MK	GENI	PC	10-21 2003	10-21 2003
TITLE: GENERAL ARRANGEMENT						
MODEL: VSP-3006-010						
DWG. NO.: VSP-3006-010						