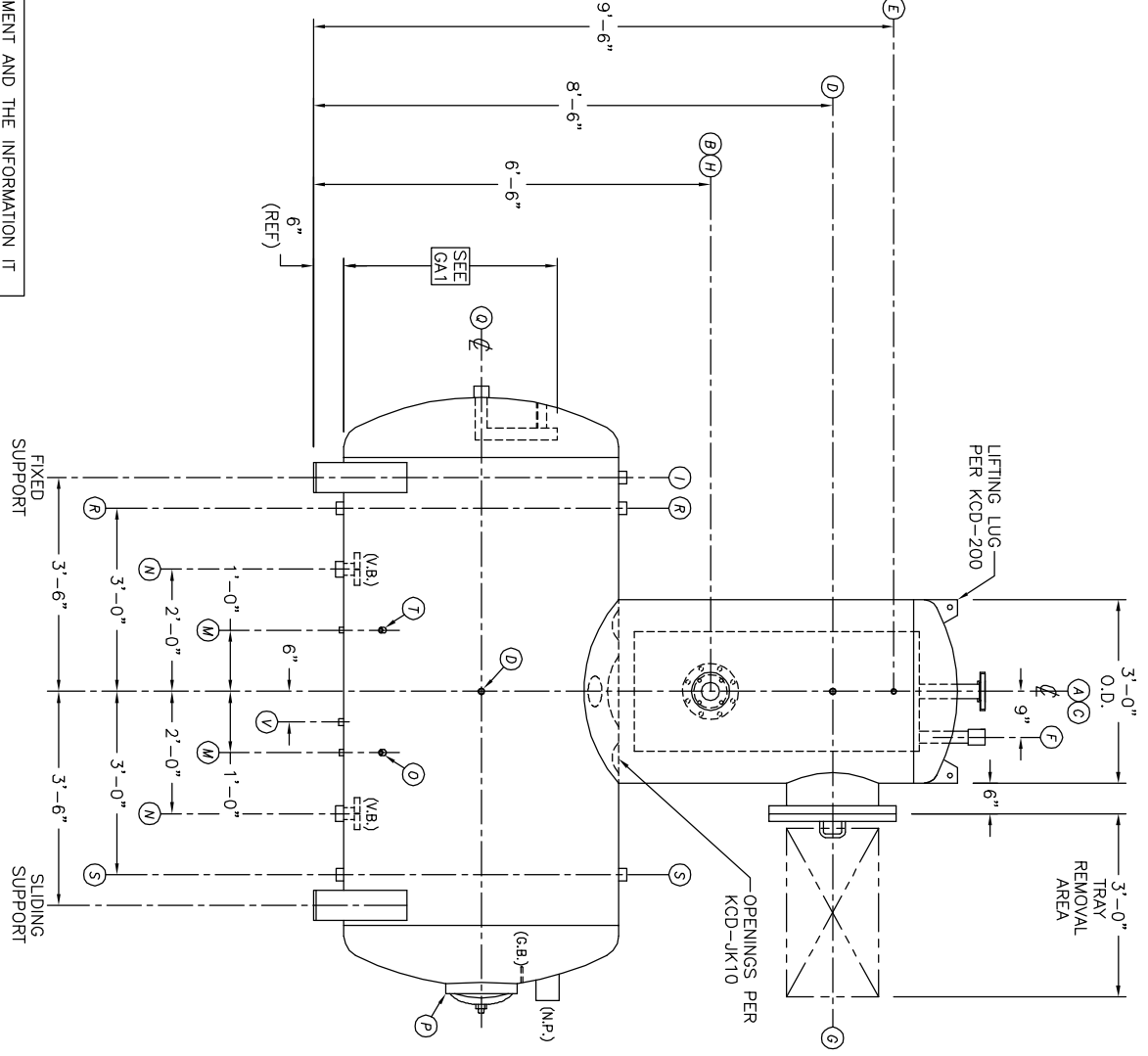
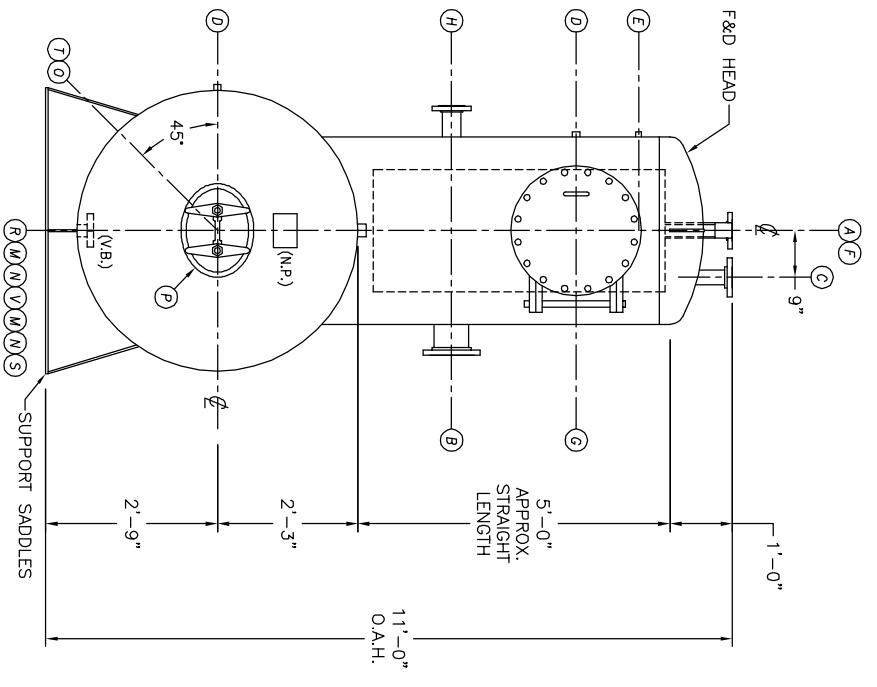


TOP VIEW



FRONT VIEW



END VIEW

- NOTES:**
1. SEE CONNECTION SCHEDULE FOR NOZZLE DESCRIPTIONS.
 2. STRAIGHT LENGTHS ARE APPROXIMATE. OVERALL LENGTH (OAL) IS TO BE HELD.
 3. FOR MISCELLANEOUS DETAILS SEE MD DRAWINGS
 4. DIMENSIONS ARE GIVEN FROM CENTER LINE OF TANKS TO NOZZLE CENTER LINE OR OUTSIDE FACE OF FLANGE.
 5. G.B. = GRAB BAR
V.B. = VORTEX BREAKER
N.P. = NAME PLATE
F.S. = FAR SIDE
D.S. = DRIP SHIELD
N.S. = NEAR SIDE
T.B. = TEE BARFLE
CL = CENTER LINE

NOTE:
PUMP SUCTION NOZZLES
WILL BE ADDED TO MATCH
ANY PUMPS SUPPLIED BY KCD

UMENT AND THE INFORMATION IT
HAVE BEEN FURNISHED FOR USE
OWN ORGANIZATION ONLY AND
PURPOSE CONSISTENT WITH THE
ON BETWEEN YOUR ORGANIZATION
ASAS CITY DEAERATOR COMPANY.
PIES OF OR DATA FROM THIS
IT SHALL BE FURNISHED TO ANY
PARTY WITHOUT THE WRITTEN
OF KANSAS CITY DEAERATOR CO.,
LAND PARK, KANSAS 66209

| NO. | DATE | DESCRIPTION OF CHANGE |
|-----|------|-----------------------|
| - | - | - |
| - | - | - |
| - | - | - |

CLIENT:

KANSAS CITY DEAERATOR CO.
6731 W. 121st STREET
OVERLAND PARK, KANSAS 66209
(913) 338-2111 FAX (913) 338-2144

| JOB # | SCALE | DESIGNED | DRAWN | CHECKED | DATE | UTD |
|-------|-------|----------|-------|---------|--------------|--------------|
| STD | NTS | MK | GENI | PC | 6-08 2004 | 6-08 2004 |

TITLE: **GENERAL ARRANGEMENT**

MODEL: TCP50-4508

DWG. NO.: **TCP50-4508**