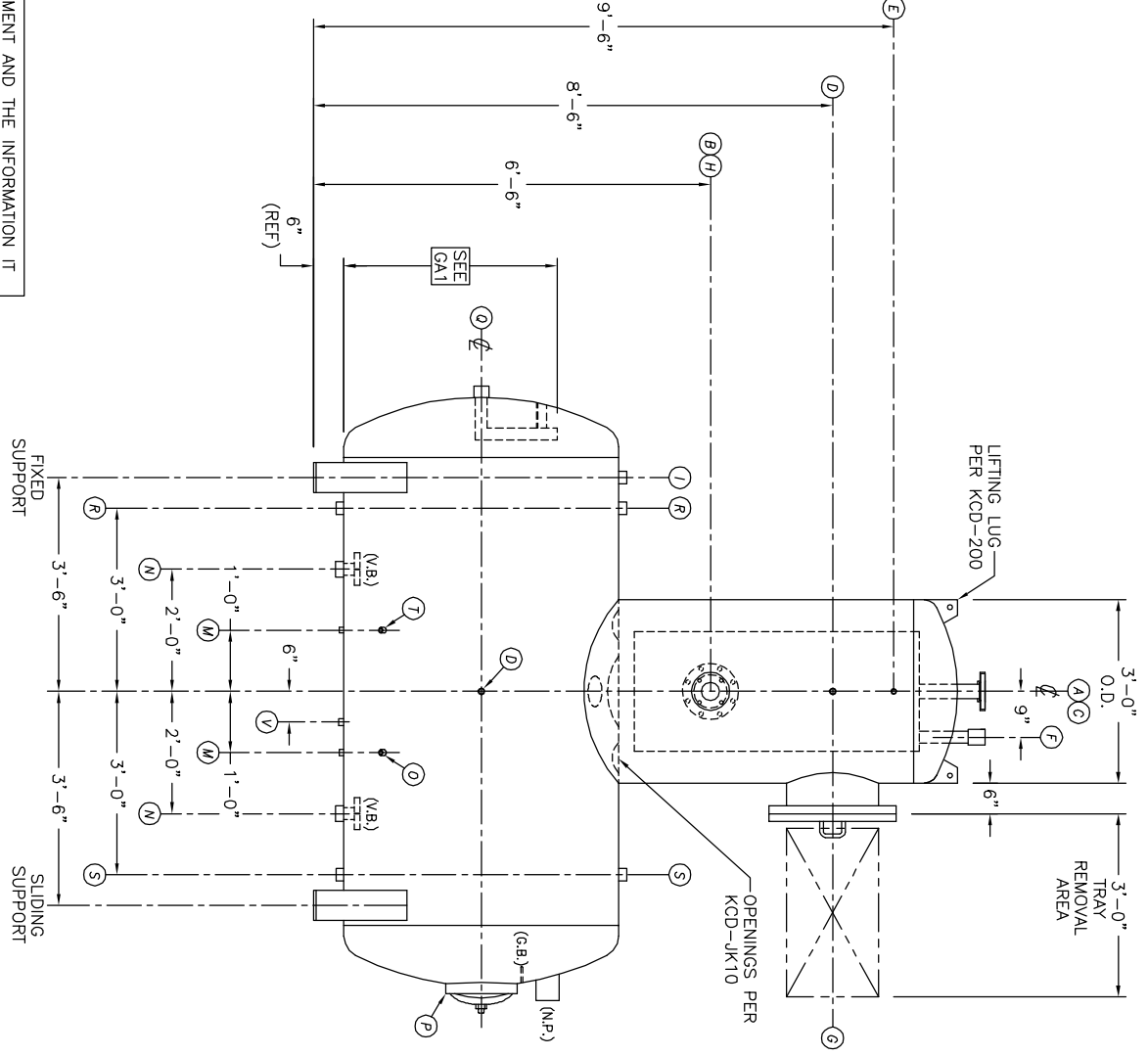
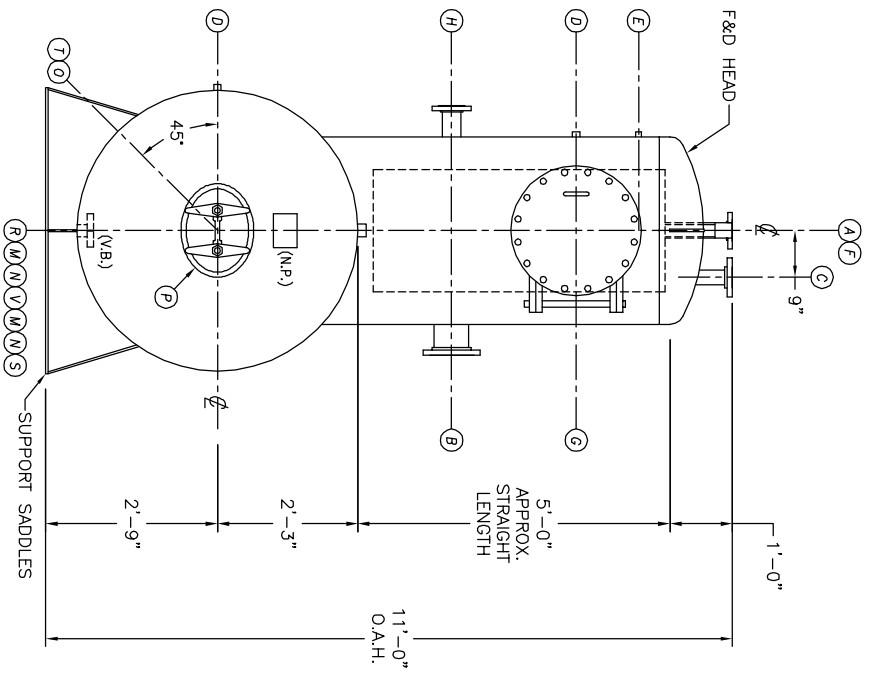


TOP VIEW



FRONT VIEW



END VIEW

- NOTES:**
1. SEE CONNECTION SCHEDULE FOR NOZZLE DESCRIPTIONS.
  2. STRAIGHT LENGTHS ARE APPROXIMATE. OVERALL LENGTH (OAL) IS TO BE HELD.
  3. FOR MISCELLANEOUS DETAILS SEE MD DRAWINGS
  4. DIMENSIONS ARE GIVEN FROM CENTER LINE OF TANKS TO NOZZLE CENTER LINE OR OUTSIDE FACE OF FLANGE.
  5. G.B. = GRAB BAR  
V.B. = VORTEX BREAKER  
N.P. = NAME PLATE  
F.S. = FAR SIDE  
D.S. = DRIP SHIELD  
N.S. = NEAR SIDE  
T.B. = TEE BARFLE  
CL = CENTER LINE

**NOTE:**  
PUMP SUCTION NOZZLES  
WILL BE ADDED TO MATCH  
ANY PUMPS SUPPLIED BY KCD

UMENT AND THE INFORMATION IT  
HAVE BEEN FURNISHED FOR USE  
OWN ORGANIZATION ONLY AND  
PURPOSE CONSISTENT WITH THE  
ON BETWEEN YOUR ORGANIZATION  
AS CITY DEAERATOR COMPANY.  
PIES OF OR DATA FROM THIS  
IT SHALL BE FURNISHED TO ANY  
PARTY WITHOUT THE WRITTEN  
OF KANSAS CITY DEAERATOR CO.,  
LAND PARK, KANSAS 66209

NO.	DATE	DESCRIPTION OF CHANGE
-	-	-
-	-	-
-	-	-

CLIENT:

**KANSAS CITY DEAERATOR CO.**  
6731 W. 121st STREET  
OVERLAND PARK, KANSAS 66209  
(913) 338-2111 FAX (913) 338-2144

JOB #	SCALE	DESIGNED	DRAWN	CHECKED	DATE	UTD
STD	NTS	MK	GENI	PC	6-08 2004	6-08 2004

TITLE: **GENERAL ARRANGEMENT**

MODEL: TCP50-4508

DWG. NO.: **TCP50-4508**