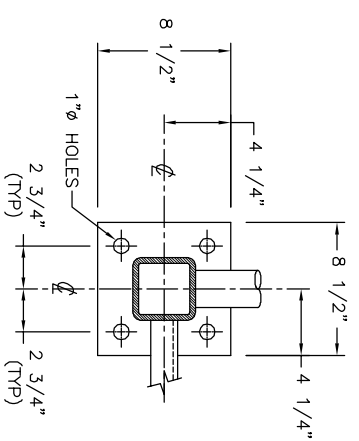
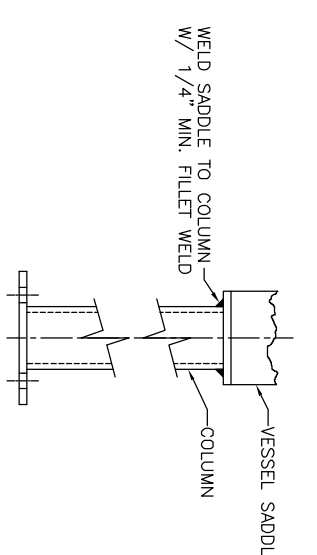
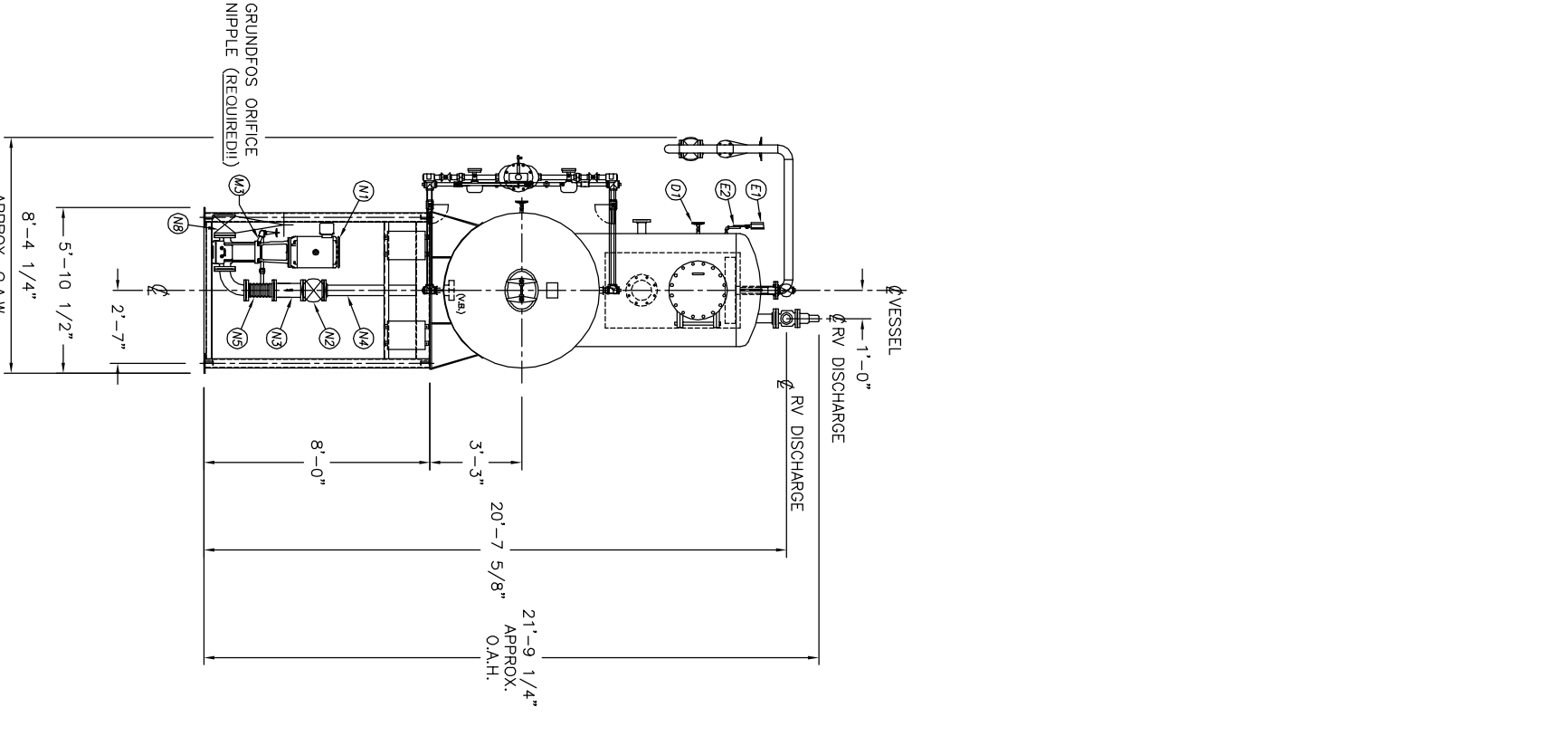
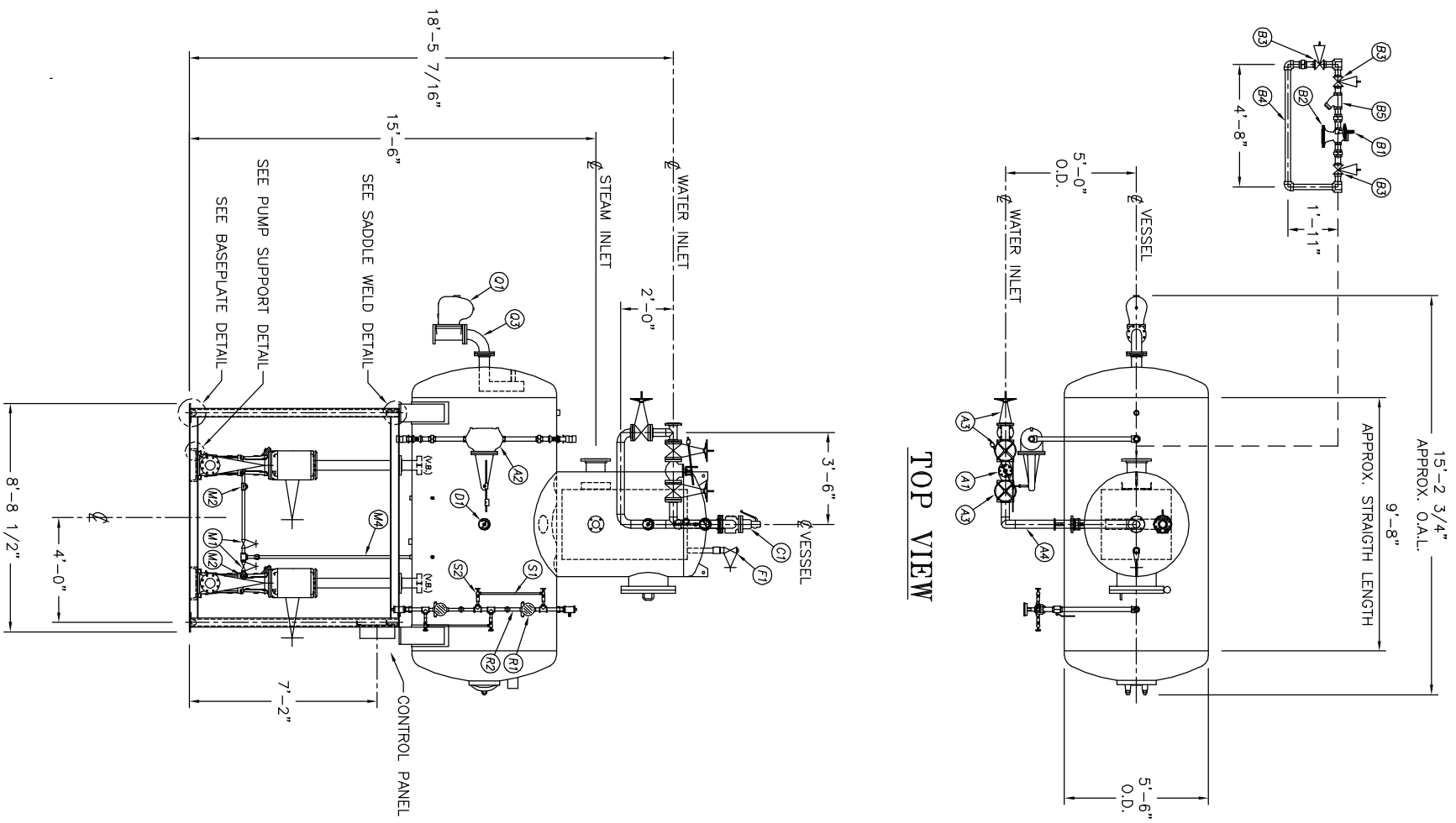


INFORMANT AND THE INFORMATION IT
HAVE BEEN FURNISHED FOR USE
BY OWN ORGANIZATION ONLY AND
NOT BE REPRODUCED OR TRANSMITTED
IN ANY MANNER OR BY ANY MEANS
ELECTRONIC OR MECHANICAL, INCLUDING
PHOTOCOPYING, RECORDING, OR BY
ANY INFORMATION STORAGE AND
RETRIEVAL SYSTEM, WITHOUT THE
WRITTEN PERMISSION OF KANSAS
CITY DEARATOR CO., KANSAS
PARK, KANSAS 66209

NO.	DATE	DESCRIPTION OF CHANGE
-	-	-
-	-	-
-	-	-
-	-	-



A1	INLET VALVE			NONE	
A2	CONTROL VALVE			NONE	
A3	3 BYPASS VALVES	2		NIBCO	T-111
A4	1 MAKE UP BY-PASS PIPING	2		KOD SHOP	
A5	STRAINER			NONE	
B1	STEAM PRV			NONE	
B2	STEAM CONTROLLER			NONE	
B3	BYPASS VALVES			NONE	
B4	STEAM PRV BY-PASS PIPING	3		NONE	
B5	1 STRAINER			MUELLER	752
C1	RELIEF VALVE			NONE	
C2	RELIEF VALVE PIPING			NONE	
D1	THERMOWELL			NONE	
E1	PRESSURE GAUGE			NONE	
E2	SIPHON & COCK			NONE	
E3	PRESSURE TRANS			NONE	
F1	VENT VALVE			NONE	
F2	1 ORIFICE PLATES		#N/A		
F3	BYPASS VALVES			NONE	
F4	VENT PIPING			NONE	
G1	1 MW SPARE GASKETS			NONE	
H1	VACUUM BREAKER			NONE	
M1	BFP RECIRC SHUTTOFF				
M2	BFP RECIRC CHECK				
M3	BFP ORIFICE / VALVE				
M4	BFP PIPING			NONE	
M5	BFP PRESSURE GAUGE	4		GRUNDFOS	CR60-50U
M6	2 BOILER FEED PUMPS	4		NIBCO	F517.0
N2	2 ISOLATION VALVE	4		MUELLER	758
N3	2 STRAINER	4			
N4	2 PIPING	4		KOD SHOP	
N5	2 EXPANSION JOINT	4			
N6	BFP DISC PRESSURE GAUGE				
N7	BFP DISC CHECK				
N8	BFP DISCH ISOLATION				
O	CHEMICAL FEED QUILL			NONE	
P	1 MW SPARE GASKETS				
Q1	OVERFLOW VALVE			NONE	
Q2	CONTROL VALVE			NONE	
Q3	OVERFLOW PIPING			NONE	
R1	LEVEL SWITCHES			NONE	
R2	1 LEVEL SWITCH BRIDLE PIPING	1 1/2		NIBCO	T-111
S1	1 GAUGE GLASS			NONE	
S2	1 GAUGE GLASS BRIDLE PIPING	1 1/2		NIBCO	T-111
T1					
2	CONTROL PANEL				
	STARTERS		NONE		
1	PUMP STAND		14.2		

NOTE:
CUSTOMER TO FIELD ALIGN PUMPS
AND MOTORS, THEN SEND KOD
CERTIFICATION PAPERS.

CLIENT: _____

KANSAS CITY DEARATOR CO.
6731 W. 121st STREET
OVERLAND PARK, KANSAS 66209
(913) 338-2111 FAX (913) 338-2144

DWG. NO.: _____
MODEL: TCP93

TITLE: GENERAL ARRANGEMENT
PACKAGE - TCP5510

JOB # _____ SCALE DESIGNED DRAWN CHECKED DATE UTD

STD	NTS	MK	GENI	PC	06-10	06-10
					2004	2004

DWG. NO.: **TCP093-5510-cr64-3**