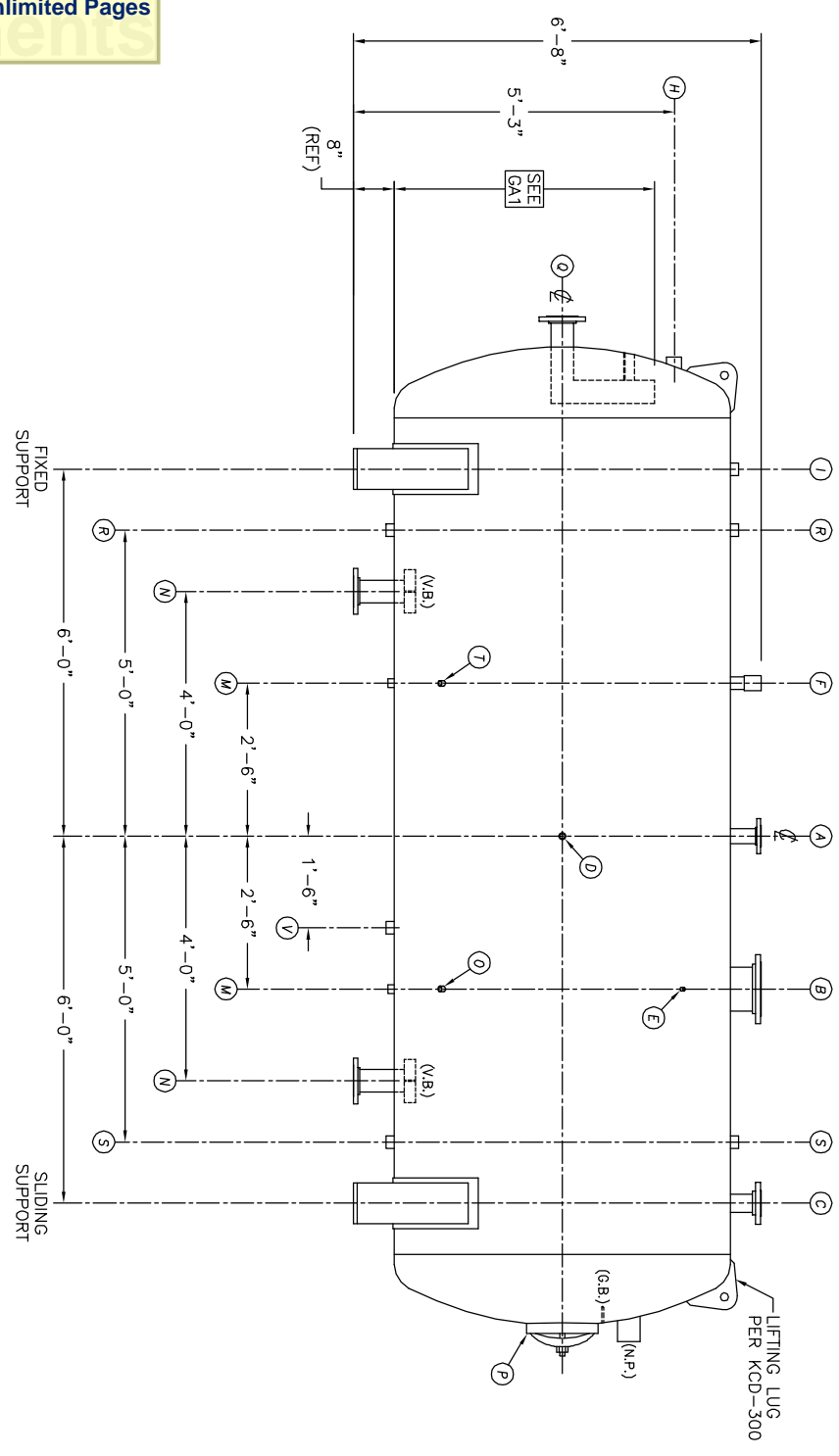


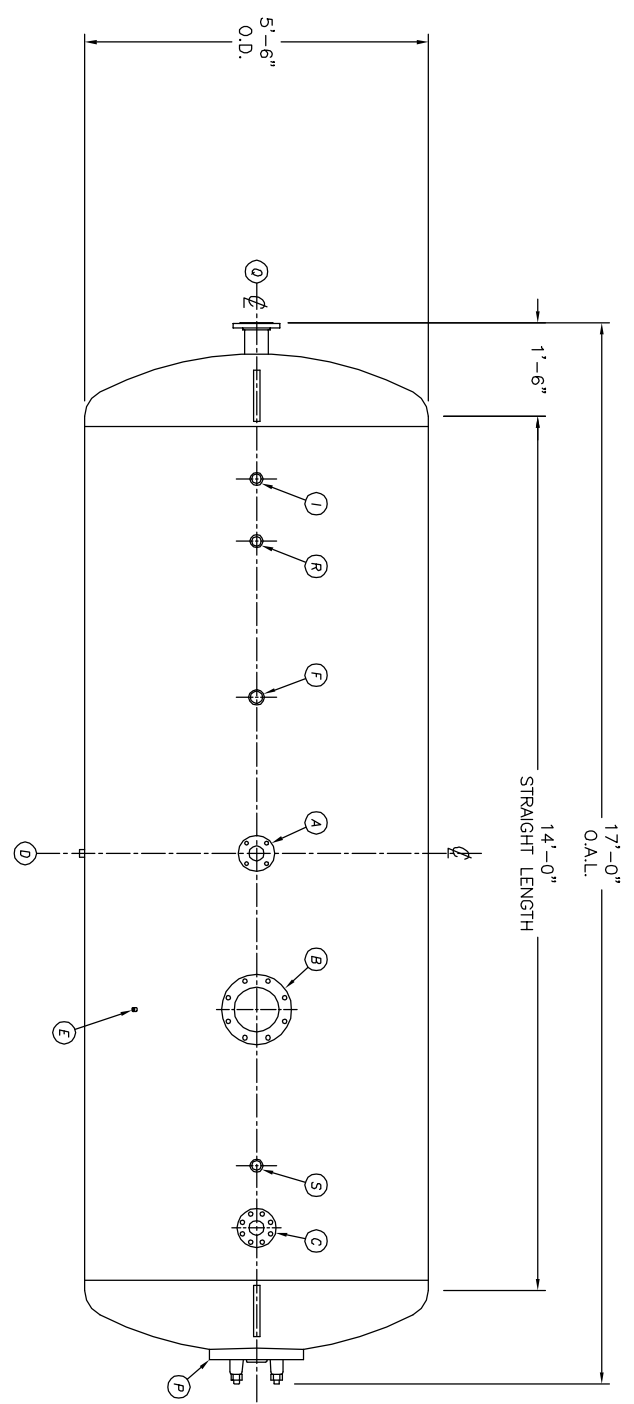
UMENT AND THE INFORMATION IT  
HAVE BEEN FURNISHED FOR USE  
OWN ORGANIZATION ONLY AND  
PURPOSE CONSISTENT WITH THE  
ON BETWEEN YOUR ORGANIZATION  
AS CITY DEARATOR COMPANY.  
PIES OF OR DATA FROM THIS  
IT SHALL BE FURNISHED TO ANY  
OF KANSAS CITY DEARATOR CO.,  
LAND PARK, KANSAS 66209

NO.	DATE	DESCRIPTION OF CHANGE
-	-	-
-	-	-
-	-	-

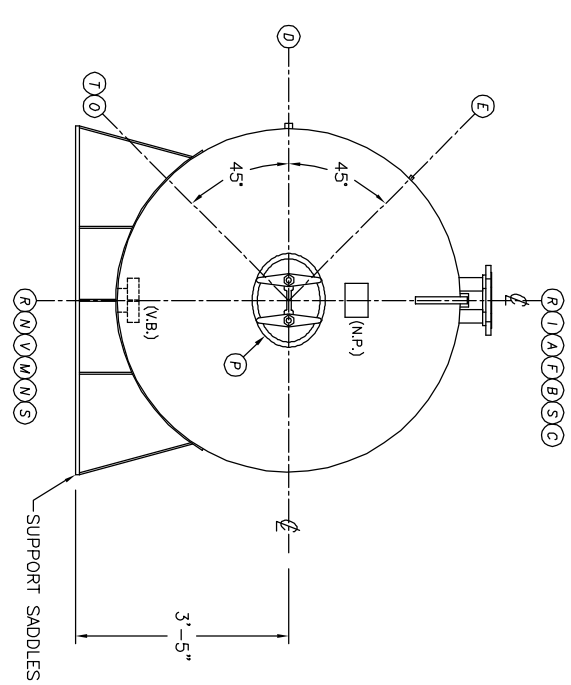
**FRONT VIEW**



**TOP VIEW**




**END VIEW**



**NOTE:**  
PUMP SUCTION NOZZLES  
WILL BE ADDED TO MATCH  
ANY PUMPS SUPPLIED BY KCD

- NOTES:**
- SEE CONNECTION SCHEDULE FOR NOZZLE DESCRIPTIONS.
  - STRAIGHT LENGTHS ARE APPROXIMATE. OVERALL LENGTH (OAL) IS TO BE HELD.
  - FOR MISCELLANEOUS DETAILS SEE MD DRAWINGS
  - DIMENSIONS ARE GIVEN FROM CENTER LINE OF TANKS TO NOZZLE CENTER LINE OR OUTSIDE FACE OF FLANGE.
  - G.B. = GRAB BAR D.S. = DRIP SHIELD  
V.B. = VORTEX BREAKER N.S. = NEAR SIDE  
N.P. = NAME PLATE T.B. = TEE BATTLE  
F.S. = FAR SIDE C = CENTER LINE

CLIENT:



**KANSAS CITY DEARATOR CO.**  
6731 W. 121st STREET  
OVERLAND PARK, KANSAS 66209  
(913) 338-2111 FAX (913) 338-2144

JOB #	SCALE	DESIGNED	DRAWN	CHECKED	DATE	UTD
STD	NTS	MK	GENI	PC	2003	2003
TITLE: GENERAL ARRANGEMENT						
MODEL: HSS514						
DWG. NO.: HSS514						