

UMENT AND THE INFORMATION IT
HAVE BEEN FURNISHED FOR USE
BY YOUR OWN ORGANIZATION ONLY AND
NOT BE LOANED, REPRODUCED, COPIED,
OR OTHERWISE DISSEMINATED IN ANY
MANNER WITHOUT THE WRITTEN
CONSENT OF KANSAS CITY DEAERATOR CO.,
1211 OVERLAND PARK, KANSAS 66209

| | | |
|-----|------|-----------------------|
| NO. | DATE | DESCRIPTION OF CHANGE |
| - | - | - |
| - | - | - |
| - | - | - |
| - | - | - |
| BY | | |

CLIENT:
KANSAS CITY DEAERATOR CO.
6731 W. 121st STREET
OVERLAND PARK, KANSAS 66209
(913) 338-2111 FAX (913) 338-2144

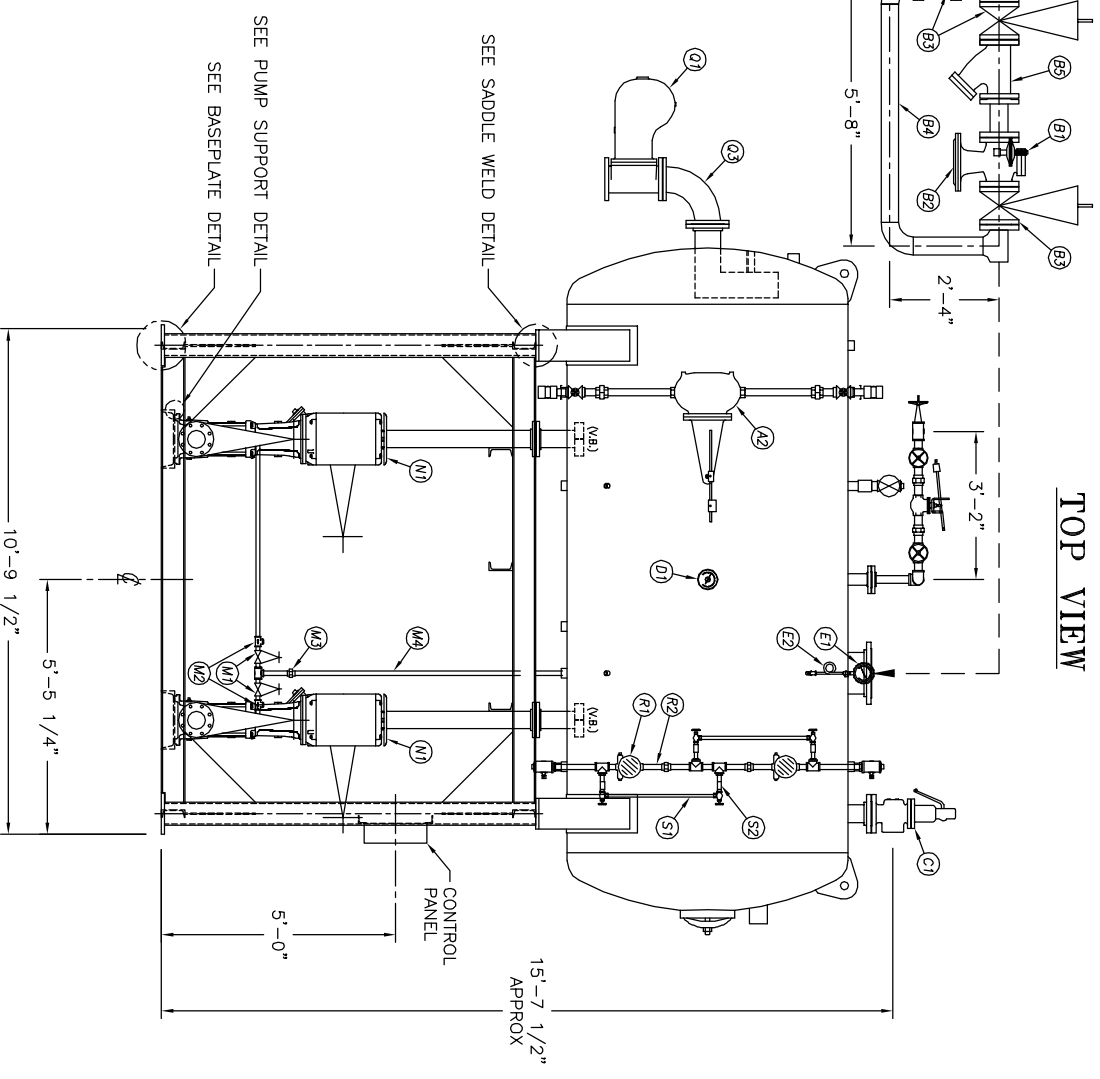
DWG. NO.:
HS6012-080-CR64-3

| | | | | | | |
|-------|-------|----------|-------|---------|-----------|-----------|
| JOB # | SCALE | DESIGNED | DRAWN | CHECKED | DATE | UTD |
| STD | NTS | MK | GENI | PC | 8-15 2003 | 8-15 2003 |

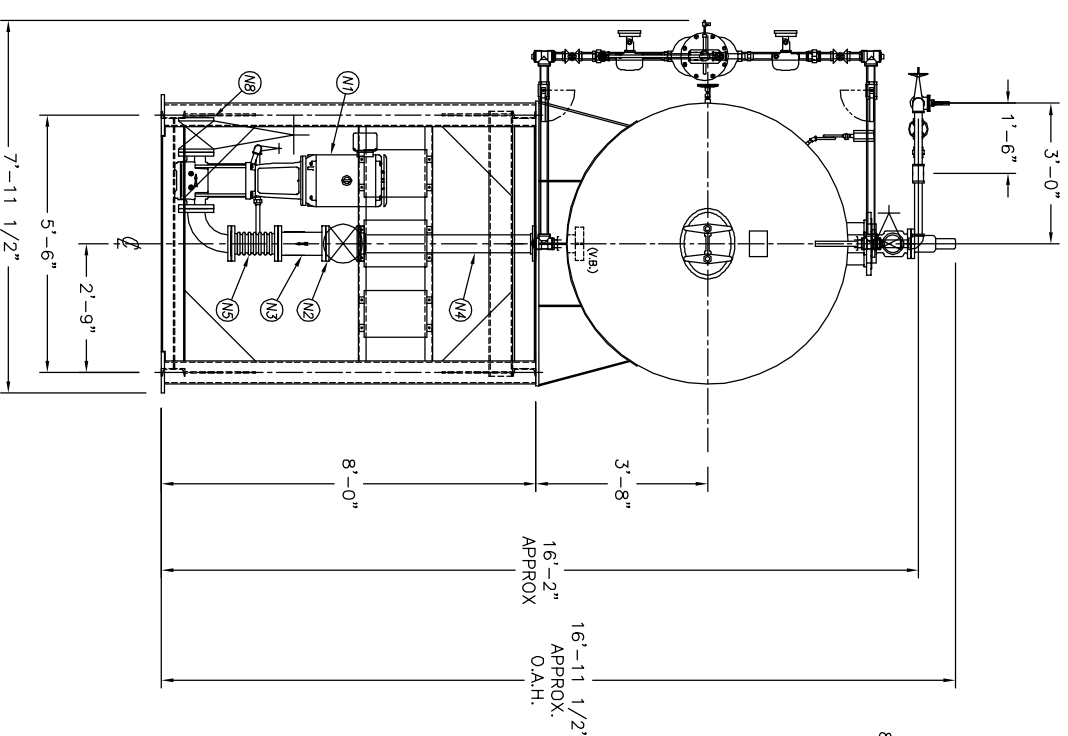
TITLE:
**GENERAL ARRANGEMENT
PACKAGE - HS6012**

MODEL: HS6012-080-CR64-3

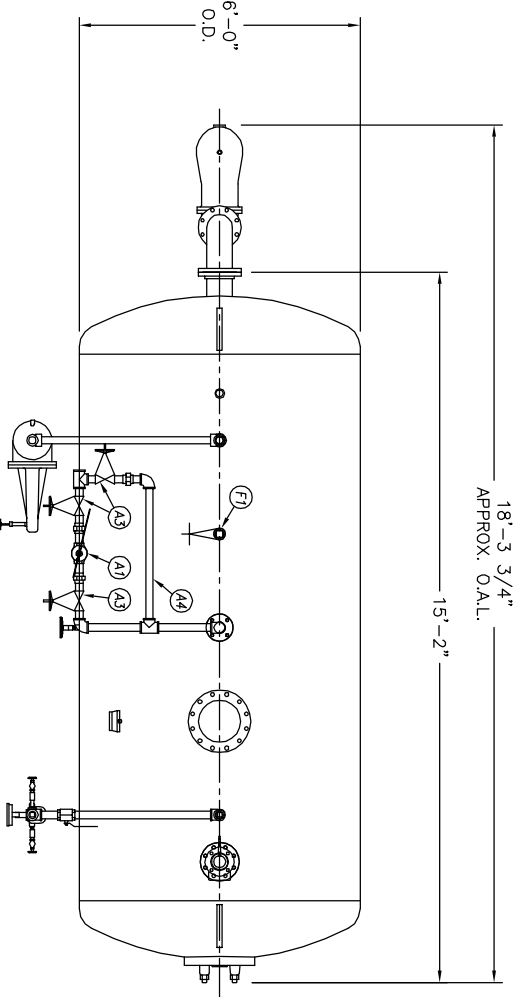
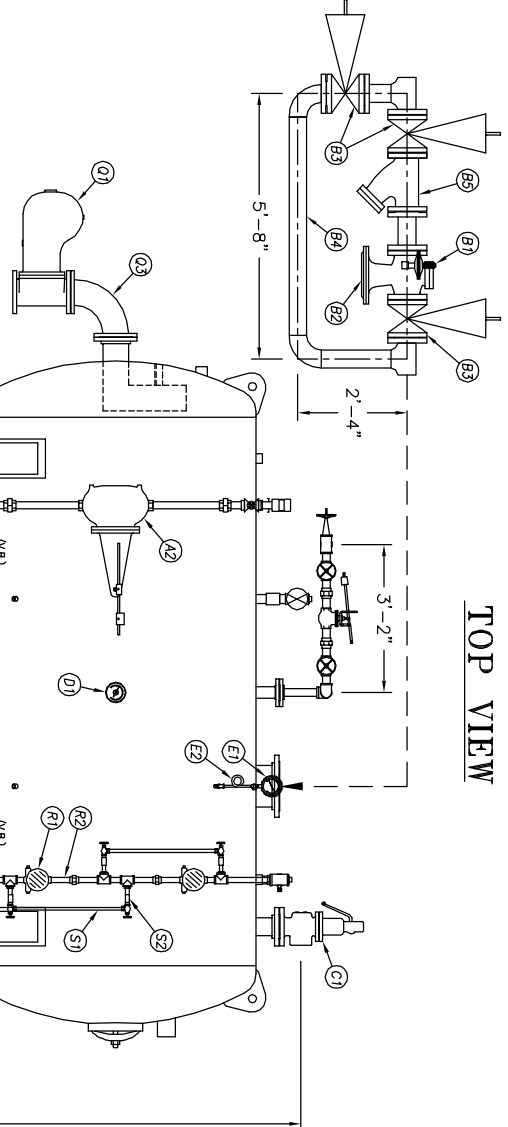
FRONT VIEW



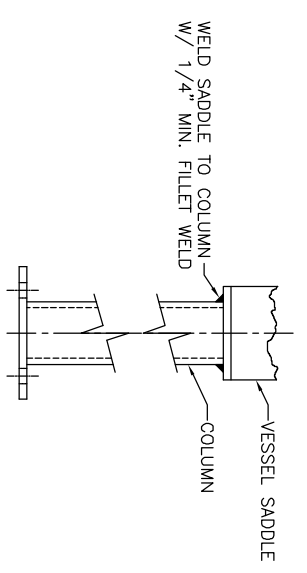
END VIEW



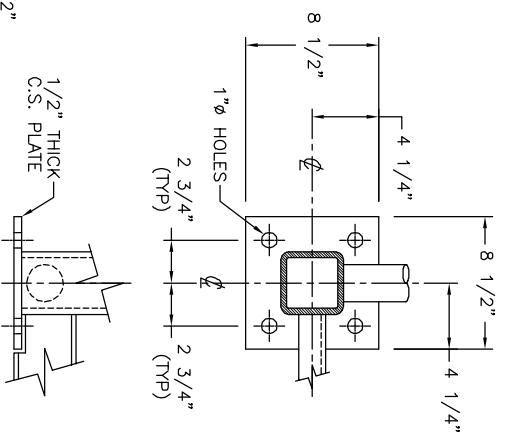
TOP VIEW



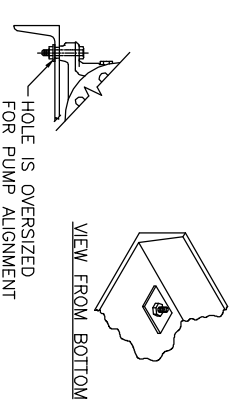
SADDLE WELD DETAIL
(TYP 4 PLACES)



BASEPLATE DETAIL
(TYP 4 PLACES)



PUMP SUPPORT DETAIL



NOTE:

CUSTOMER TO FIELD ALIGN PUMPS AND MOTORS, THEN SEND KCD CERTIFICATION PAPERS.

| | | | | |
|----|------------------------------|-------|----------|----------|
| A1 | INLET VALVE | NONE | NONE | |
| A2 | CONTROLLER | NONE | NONE | |
| A3 | 3 BYPASS VALVES | 2 | NIBCO | T-111 |
| A4 | 1 MAKE UP BY-PASS PIPING | 2 | KCD SHOP | |
| A5 | STRAINER | NONE | NONE | |
| B1 | STEAM PRV | NONE | NONE | |
| B2 | STEAM CONTROLLER | NONE | NONE | |
| B3 | BYPASS VALVES | NONE | NONE | |
| B4 | STEAM PRV BY-PASS PIPING | 3 | MELLER | 782 |
| B5 | 1 STRAINER | NONE | NONE | |
| C1 | RELIEF VALVE | NONE | NONE | |
| C2 | RELIEF VALVE PIPING | NONE | NONE | |
| D1 | THERMOWELL | NONE | NONE | |
| E1 | PRESSURE GAUGE | NONE | NONE | |
| E2 | SIPHON & COCK | NONE | NONE | |
| E3 | PRESSURE TRANS | NONE | NONE | |
| F1 | VENT VALVE | NONE | NONE | |
| F2 | 1 ORIFICE PLATES | #N/A | #N/A | |
| F3 | BYPASS VALVES | NONE | NONE | |
| F4 | VENT PIPING | NONE | NONE | |
| G1 | 1 HW SPARE GASKETS | NONE | NONE | |
| H1 | VACUUM BREAKER | NONE | NONE | |
| M1 | BFP REGICR SHUTOFF | | | |
| M2 | BFP REGICR CHECK | | | |
| M3 | BFP ORIFICE / VALVE | | | |
| M4 | BFP PIPING | NONE | NONE | |
| M5 | BFP PRESSURE GAUGE | 4 | GRINDFOS | CR80-50U |
| N1 | 2 BOILER FEED PUMPS | 4 | NIBCO | FB17-0 |
| N2 | 2 ISOLATION VALVE | 4 | MELLER | 788 |
| N3 | 2 STRAINER | 4 | KCD SHOP | |
| N4 | 2 PIPING | 4 | | |
| N5 | 2 EXPANSION JOINT | 4 | | |
| N6 | BFP DISC PRESSURE GAUGE | | | |
| N7 | BFP DISC CHECK | | | |
| N8 | BFP DISCH ISOLATION | | | |
| O | CHEMICAL FEED QUILL | NONE | NONE | |
| P | 1 HW SPARE GASKETS | | | |
| Q1 | OVERFLOW VALVE | NONE | NONE | |
| Q2 | CONTROLLER | NONE | NONE | |
| Q3 | OVERFLOW PIPING | NONE | NONE | |
| R1 | LEVEL SWITCHES | NONE | NONE | |
| R2 | 1 LEVEL SWITCH BRIDLE PIPING | 1 1/2 | NIBCO | T-111 |
| S1 | 1 GAUGE GLASS | NONE | NONE | |
| S2 | 1 GAUGE GLASS BRIDLE PIPING | 1 1/2 | NIBCO | T-111 |
| T1 | | | | |
| 2 | CONTROL PANEL | NONE | NONE | |
| | STARTERS | | | |
| 1 | PUMP STAND | 14.2 | | |