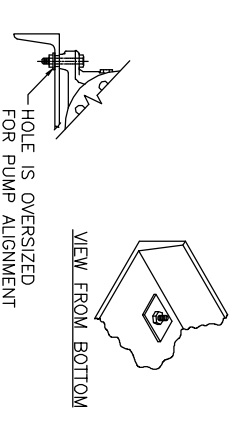
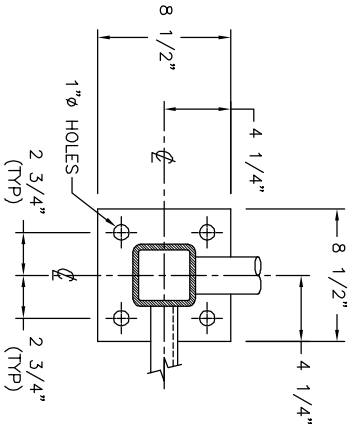
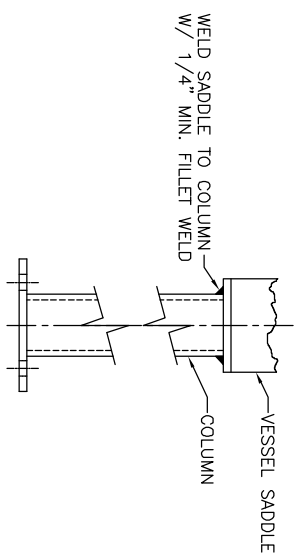
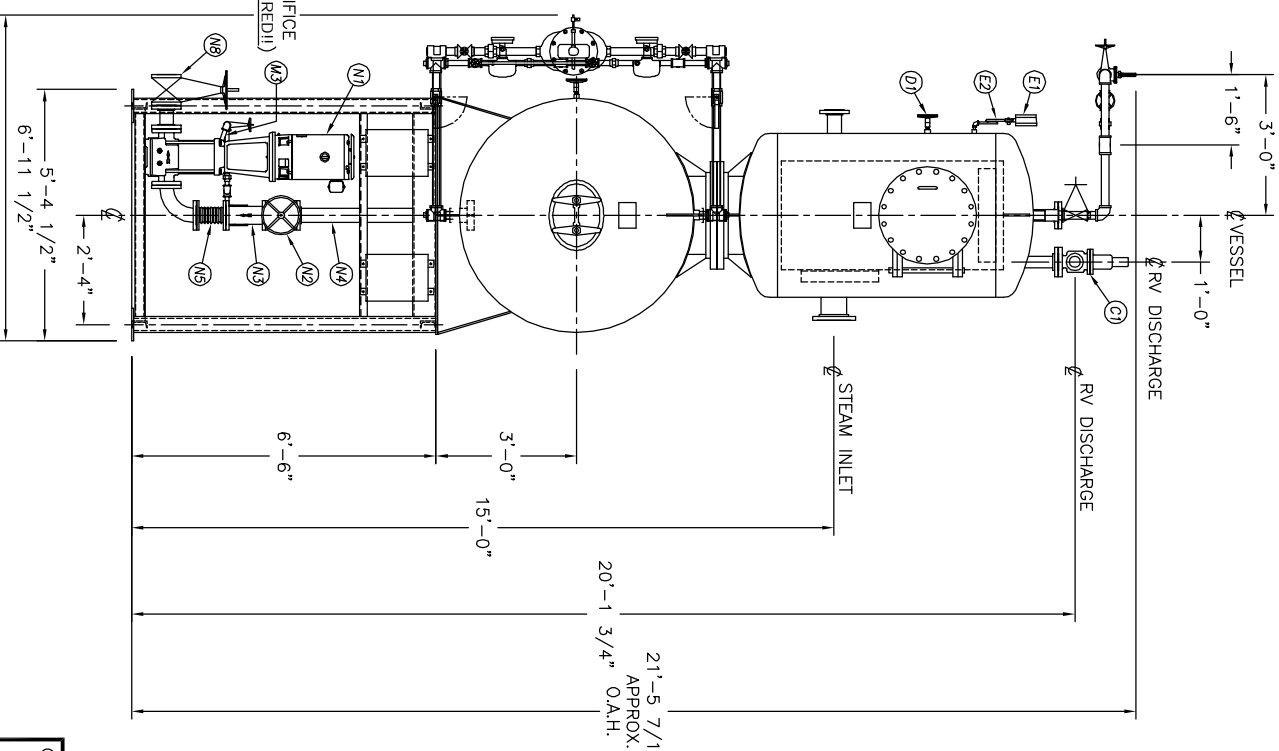
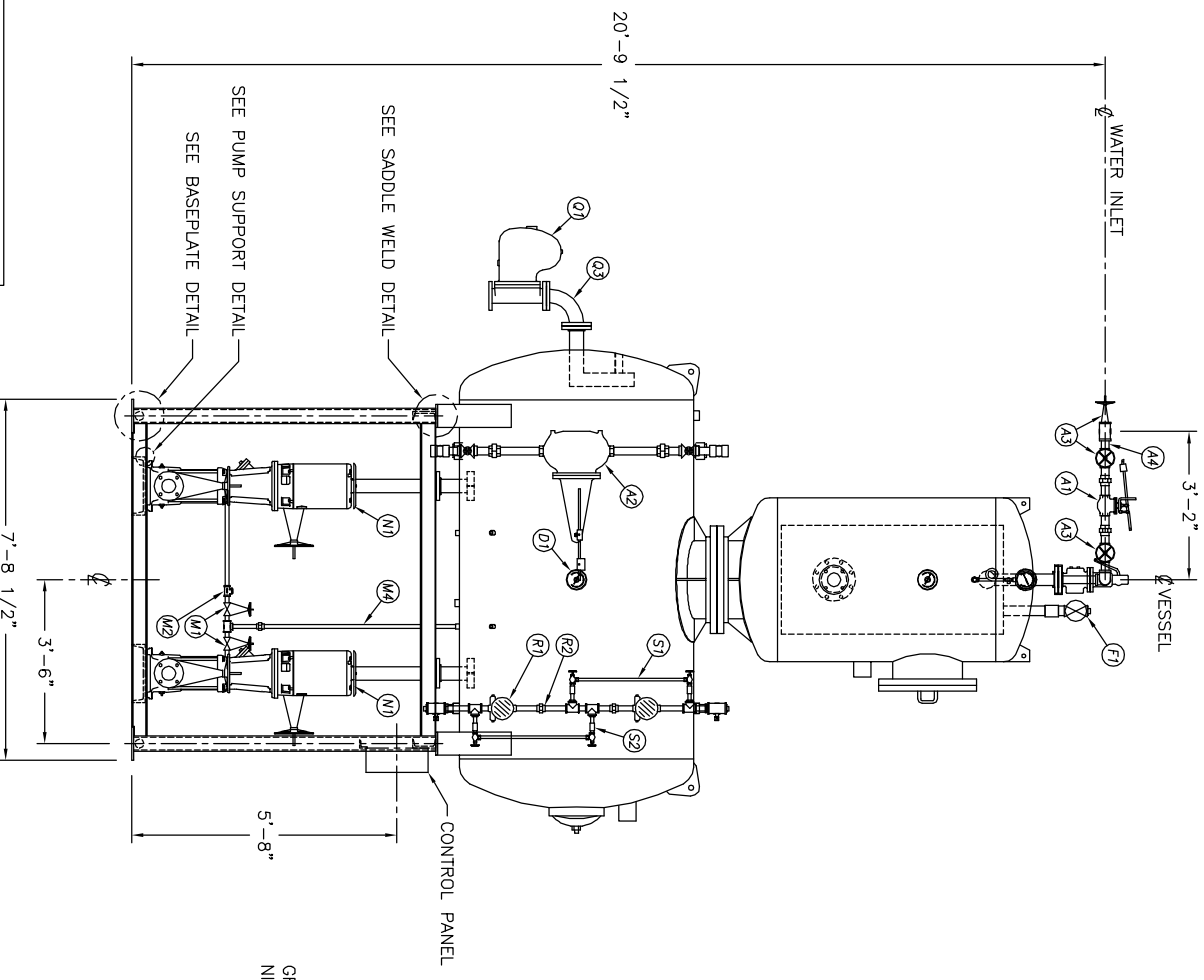
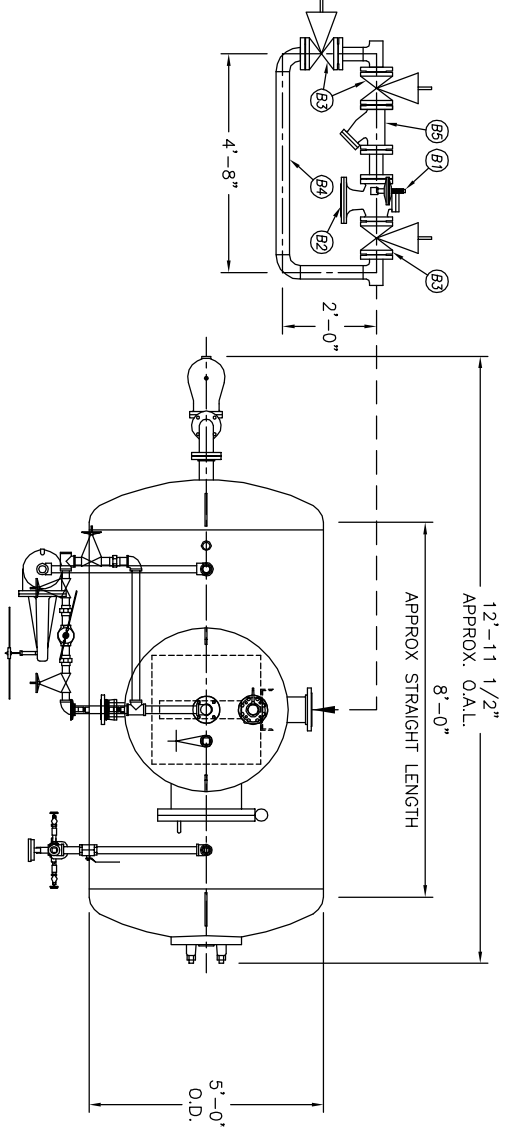


UMENT AND THE INFORMATION IT
HAVE BEEN FURNISHED FOR USE
BY YOUR OWN ORGANIZATION ONLY AND
NOT FOR REPRODUCTION OR FOR ANY
OTHER PURPOSE WITHOUT THE WRITTEN
CONSENT OF KANSAS CITY DEAERATOR CO.,
1200 OVERLAND PARK, KANSAS 66209

NO.	DATE	DESCRIPTION OF CHANGE	BY
-	-	-	-
-	-	-	-
-	-	-	-



A1	INLET VALVE	NONE	
A2	CONTROL VALVE	NONE	
A3	3 BYPASS VALVES	NIBCO	T-111
A4	1 MAKE UP BY-PASS PIPING	KOD SHOP	
A5	1 STRAINER	NONE	
B1	1 STEAM PRV	NONE	
B2	1 STEAM CONTROLLER	NONE	
B3	3 BYPASS VALVES	NONE	
B4	1 STEAM PRV BY-PASS PIPING	NONE	
B5	1 STRAINER	MUELLER	782
C1	1 RELIEF VALVE	NONE	
C2	1 RELIEF VALVE PIPING	NONE	
D1	1 THERMOWELL	NONE	
E1	1 PRESSURE GAUGE	NONE	
E2	1 SIPHON & COCK	NONE	
E3	1 PRESSURE TRANS	NONE	
F1	1 VENT VALVE	NONE	
F2	1 ORIFICE PLATES	#N/A	
F3	3 BYPASS VALVES	NONE	
F4	1 VENT PIPING	NONE	
G1	1 IMV SPARE GASKETS	NONE	
H1	1 VACUUM BREAKER	NONE	
M1	2 BFP RECIRC SHUTTOFF		
M2	2 BFP RECIRC CHECK		
M3	2 BFP ORIFICE / VALVE		
M4	2 BFP PIPING	NONE	
M5	2 BFP PRESSURE GAUGE		
M6	2 BOILER FEED PUMPS	GRUNDFOS	CR60-50U
M7	2 ISOLATION VALVE	NIBCO	F817.0
N3	2 STRAINER	MUELLER	788
N4	2 PIPING	KOD SHOP	
N5	2 EXPANSION JOINT		
N6	2 BFP DISC PRESSURE GAUGE		
N7	2 BFP DISC CHECK		
N8	2 BFP DISCH ISOLATION		
O	1 CHEMICAL FEED QUILL	NONE	
P	1 IMV SPARE GASKETS		
Q1	1 OVERFLOW VALVE	NONE	
Q2	1 CONTROL VALVE	NONE	
Q3	1 OVERFLOW PIPING	NONE	
R1	1 LEVEL SWITCHES	NONE	
R2	1 LEVEL SWITCH BRIDLE PIPING	NONE	T-111
S1	1 GAUGE GLASS	NONE	
S2	1 GAUGE GLASS BRIDLE PIPING	NONE	T-111
T1	1		
2	CONTROL PANEL STARTERS	NONE	
1	PUMP STAND	14.2	

NOTE:
CUSTOMER TO FIELD ALIGN PUMPS AND MOTORS, THEN SEND KCD CERTIFICATION PAPERS.

CLIENT: **KANSAS CITY DEAERATOR CO.**
6731 W. 121st STREET
OVERLAND PARK, KANSAS 66209
(913) 338-2111 FAX (913) 338-2144

JOB #	SCALE	DESIGNED	DRAWN	CHECKED	DATE	UTD
STD	NTS	MK	GENI	PC	6-15 2004	6-15 2004

TITLE: **GENERAL ARRANGEMENT PACKAGE - BDSPP5008**
MODEL: BDSPP71
DWG. NO.: **BDSP071-5008-cr45-4**