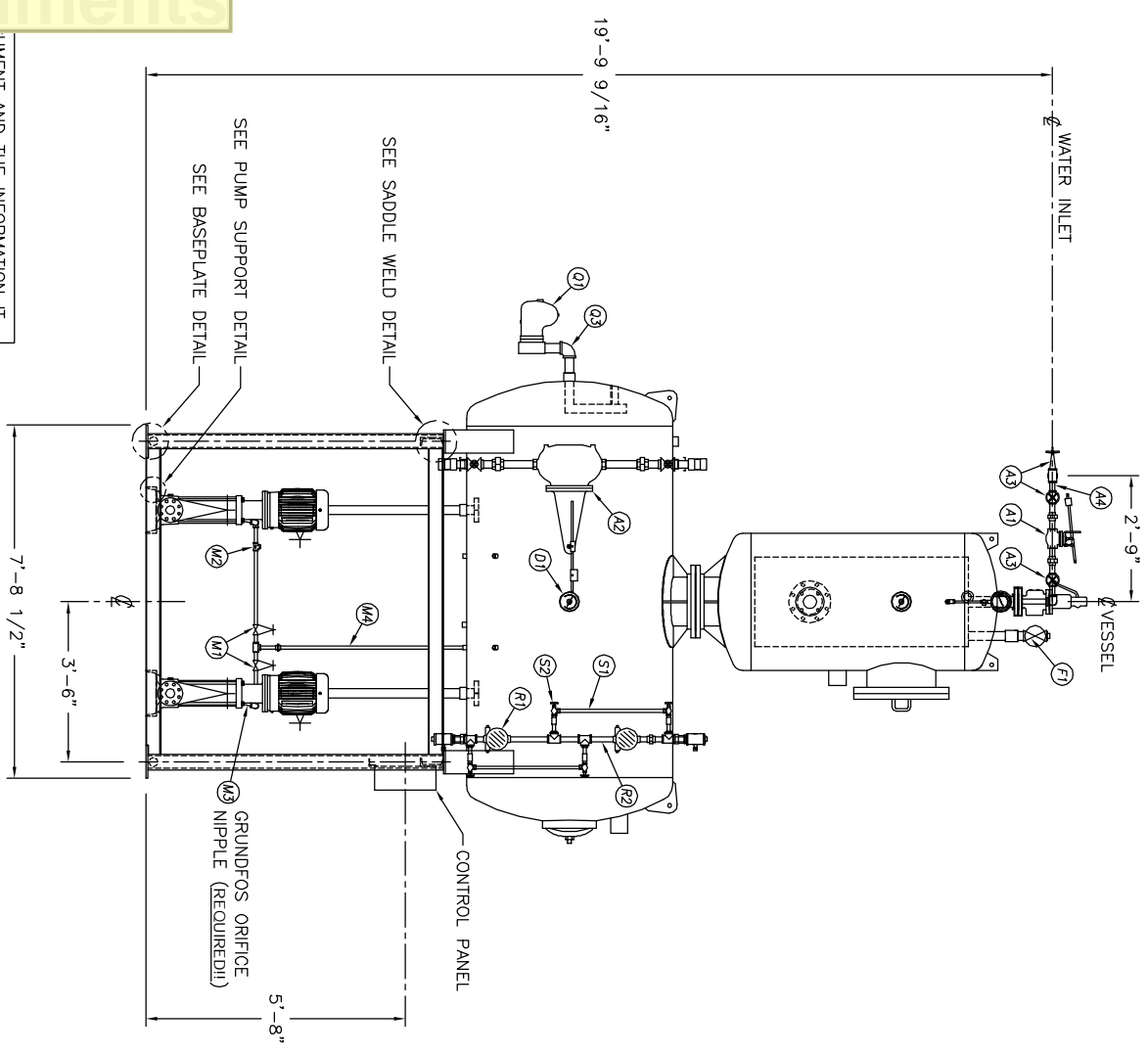
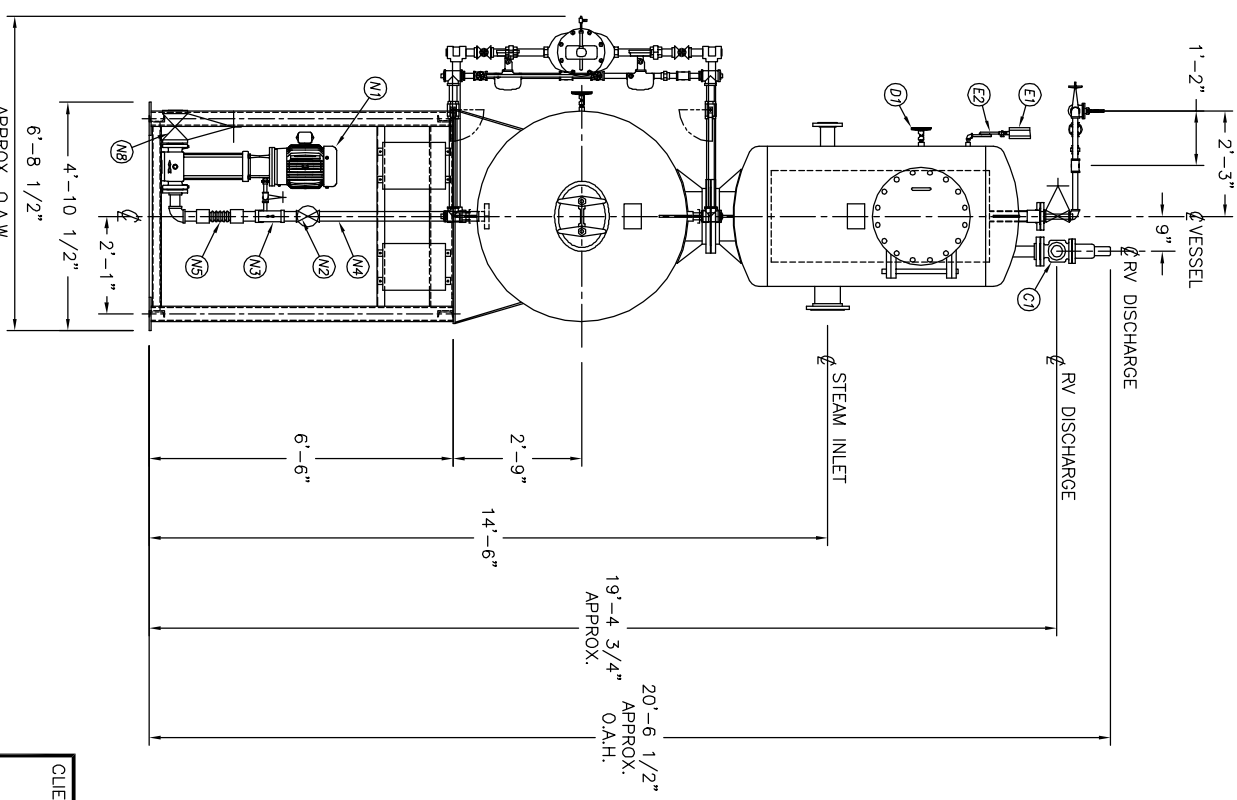


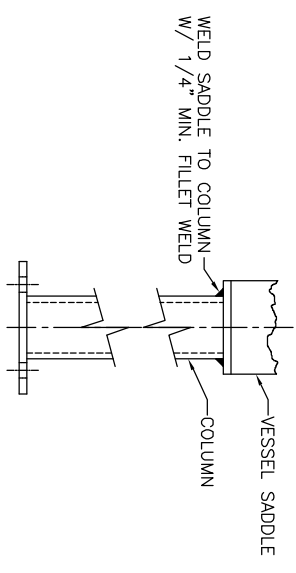
TOP VIEW



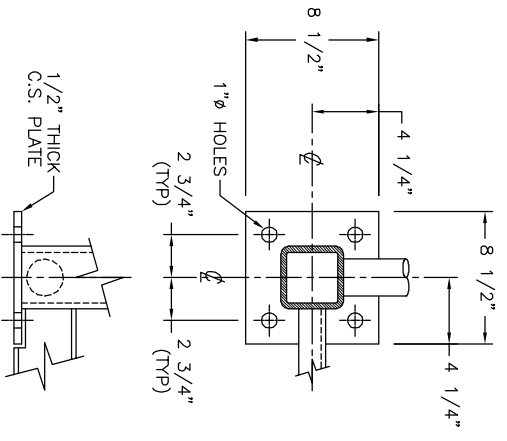
FRONT VIEW



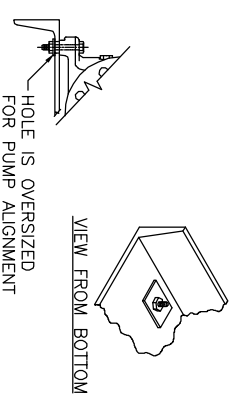
END VIEW



SADDLE WELD DETAIL
(TYP 4 PLACES)



BASEPLATE DETAIL
(TYP 4 PLACES)



PUMP SUPPORT DETAIL

A1	INLET VALVE		NONE	
A2	CONTROLLER		NONE	
A3	3 BYPASS VALVES	2	NIBCO	T-111
A4	1 MAKE UP BY-PASS PIPING	2	KOD SHOP	
A5	STRAINER		NONE	
B1	STEAM PRV		NONE	
B2	STEAM CONTROLLER		NONE	
B3	BYPASS VALVES		NONE	
B4	STEAM PRV BY-PASS PIPING		NONE	
B5	1 STRAINER	3	MUELLER	752
C1	RELIEF VALVE		NONE	
C2	RELIEF VALVE PIPING		NONE	
D1	THERMOWELL		NONE	
E1	PRESSURE GAUGE		NONE	
E2	SIPHON & COCK		NONE	
E3	PRESSURE TRANS		NONE	
F1	VENT VALVE		NONE	
F2	1 ORIFICE PLATES	#N/A	#N/A	
F3	BYPASS VALVES		NONE	
F4	VENT PIPING		NONE	
G1	1 MW SPARE GASKETS		NONE	
H1	VACUUM BREAKER		NONE	
M1	BFP RECIRC SHUTTOFF			
M2	BFP RECIRC CHECK			
M3	BFP ORIFICE / VALVE			
M4	BFP PIPING		NONE	
M5	BFP PRESSURE GAUGE	4	GRUNDFOS	CR60-50U
M1	2 BOILER FEED PUMPS	4	NIBCO	FS17.0
N2	2 ISOLATION VALVE	4	MUELLER	758
N3	2 STRAINER	4	KOD SHOP	
N4	2 PIPING	4		
N5	2 EXPANSION JOINT	4		
N6	BFP DISC PRESSURE GAUGE			
N7	BFP DISC CHECK			
N8	BFP DISCH ISOLATION			
O	CHEMICAL FEED QUILL		NONE	
P	1 MW SPARE GASKETS			
Q1	OVERFLOW VALVE		NONE	
Q2	CONTROLLER		NONE	
Q3	OVERFLOW PIPING		NONE	
R1	LEVEL SWITCHES	1 1/2	NONE	T-111
R2	LEVEL SWITCH BRIDLE PIPING	1 1/2	NIBCO	T-111
S1	1 GAUGE GLASS		NONE	
S2	1 GAUGE GLASS BRIDLE PIPING	1 1/2	NIBCO	T-111
T1				
2	CONTROL PANEL			
	STARTERS		NONE	
1	PUMP STAND	14.2		

NOTE:
CUSTOMER TO FIELD ALIGN PUMPS AND MOTORS, THEN SEND KCD CERTIFICATION PAPERS.

CLIENT:						
JOB #	SCALE	DESIGNED	DRAWN	CHECKED	DATE	UTD
STD	NTS	MK	GENI	PC	6-15 2004	6-15 2004

TITLE: GENERAL ARRANGEMENT PACKAGE - BDSPP4508
MODEL: BDSPP50
DWG. NO.: BDSPP050-4508-cr16-80

DESCRIPTION OF CHANGE	BY

UMENT AND THE INFORMATION IT HAVE BEEN FURNISHED FOR USE BY YOUR OWN ORGANIZATION ONLY AND NOT BE LOANED, REPRODUCED, COPIED, OR TRANSMITTED IN ANY MANNER WITHOUT THE WRITTEN CONSENT OF KANSAS CITY DEAERATOR CO., 1211 OVERLAND PARK, KANSAS 66209

KANSAS CITY DEAERATOR CO.
6731 W. 121st STREET
OVERLAND PARK, KANSAS 66209
(913) 338-2111 FAX (913) 338-2144