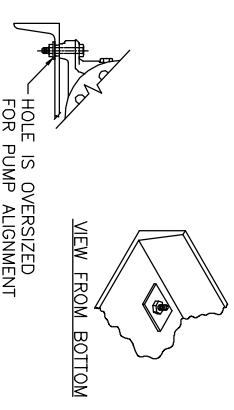
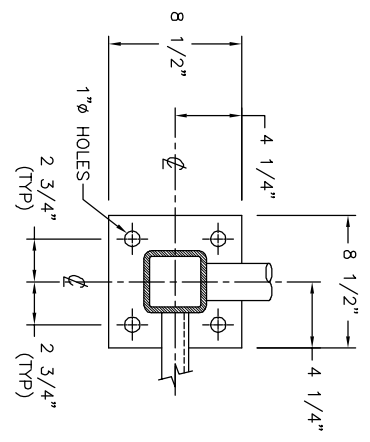
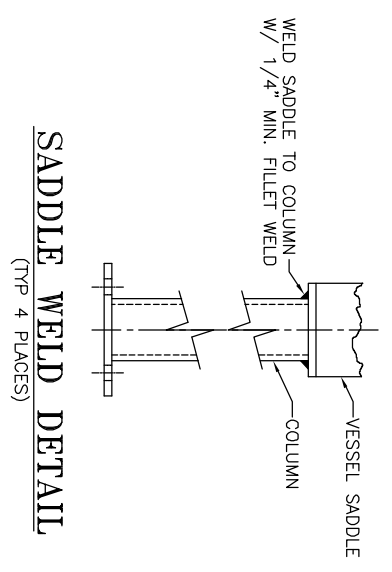
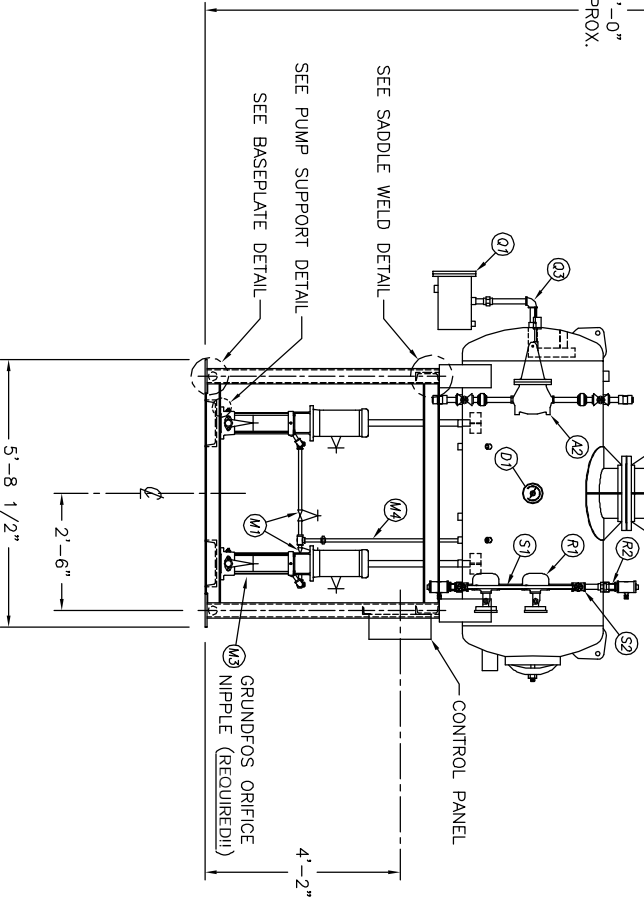
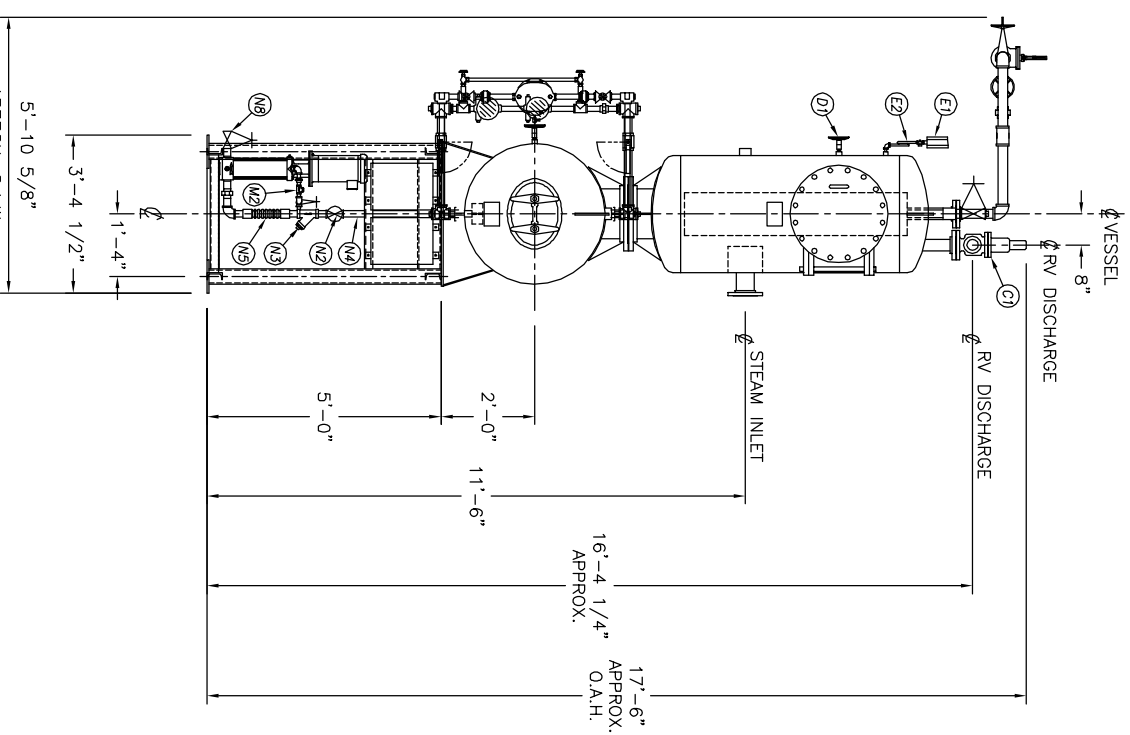
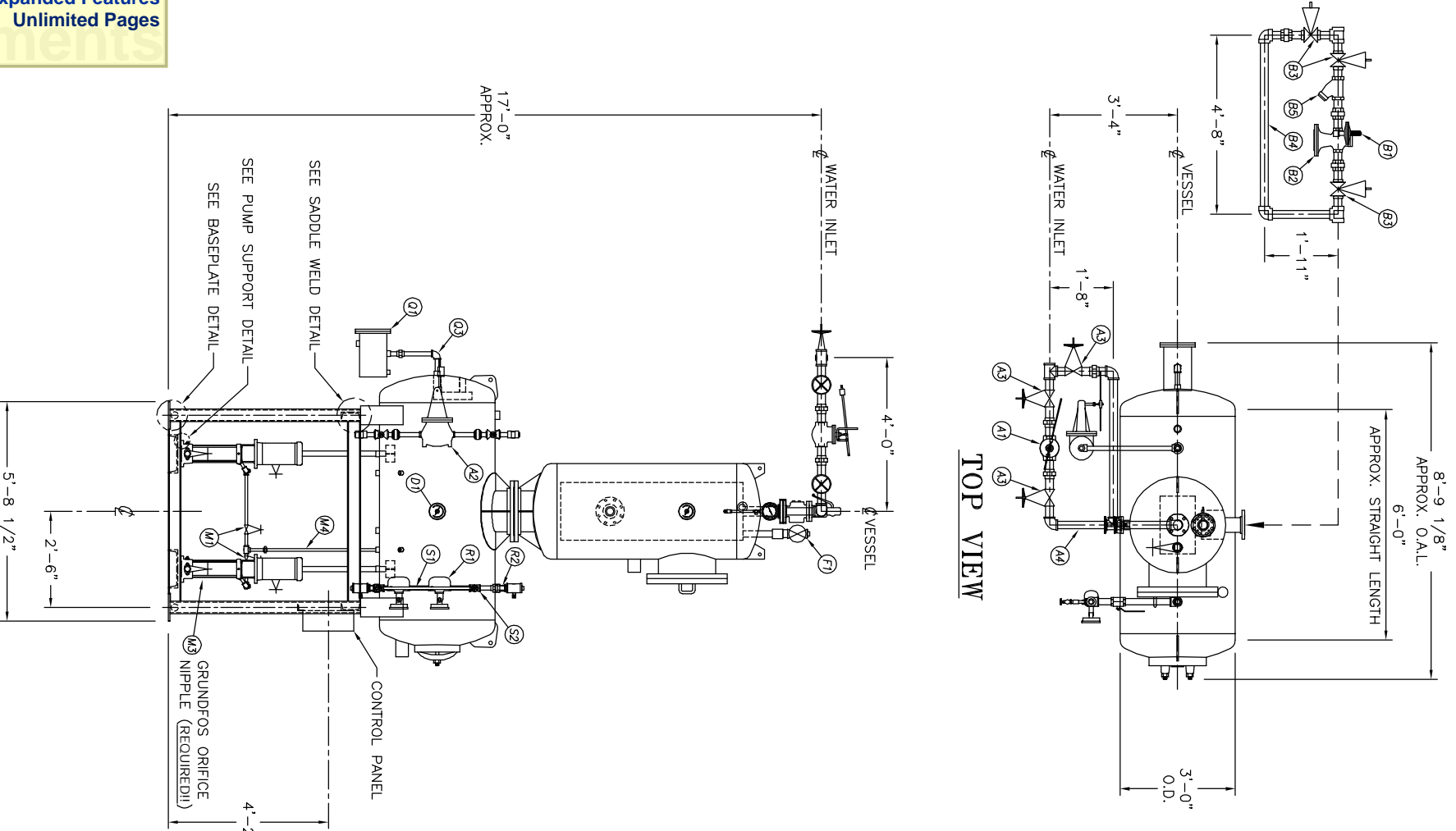


UMENT AND THE INFORMATION IT
HAVE BEEN FURNISHED FOR USE
BY OWN ORGANIZATION ONLY AND
FOR PURPOSE CONSISTENT WITH THE
AGREEMENT BETWEEN YOUR ORGANIZATION
AND KANSAS CITY DEAERATOR COMPANY.
KANSAS CITY DEAERATOR COMPANY
PUMPS OF OR DATA FROM THIS
DRAWING SHALL BE FURNISHED TO ANY
OTHER PARTY WITHOUT THE WRITTEN
CONSENT OF KANSAS CITY DEAERATOR CO.,
2140 LAND PARK, KANSAS 66209

NO.	DATE	DESCRIPTION OF CHANGE
-	-	-
-	-	-
-	-	-
BY		



NOTE:
CUSTOMER TO FIELD ALIGN PUMPS
AND MOTORS, THEN SEND KCD
CERTIFICATION PAPERS.

A1	INLET VALVE	NONE	NONE
A2	CONTROL VALVE	NONE	NONE
A3	3 BYPASS VALVES	2	NIBCO
A4	1 MAKE UP BY-PASS PIPING	2	KCD SHOP
A5	STRAINER	NONE	NONE
B1	STEAM PRV	NONE	NONE
B2	STEAM CONTROLLER	NONE	NONE
B3	BYPASS VALVES	NONE	NONE
B4	STEAM PRV BY-PASS PIPING	3	NONE
B5	1 STRAINER	3	MUELLER
C1	RELIEF VALVE	NONE	NONE
C2	RELIEF VALVE PIPING	NONE	NONE
D1	THERMOWELL	NONE	NONE
E1	PRESSURE GAUGE	NONE	NONE
E2	SIPHON & COCK	NONE	NONE
E3	PRESSURE TRANS	NONE	NONE
F1	VENT VALVE	NONE	NONE
F2	1 ORIFICE PLATES	#N/A	#N/A
F3	BYPASS VALVES	NONE	NONE
F4	VENT PIPING	NONE	NONE
G1	1 MW SPARE GASKETS	NONE	NONE
H1	VACUUM BREAKER	NONE	NONE
M1	BFP RECIRC SHUTTOFF		
M2	BFP RECIRC CHECK		
M3	BFP ORIFICE / VALVE		
M4	BFP PIPING		NONE
M5	BFP PRESSURE GAUGE	4	GRUNDFOS
M6	2 BOILER FEED PUMPS	4	NIBCO
N2	2 ISOLATION VALVE	4	F817.0
N3	2 STRAINER	4	MUELLER
N4	2 PIPING	4	KCD SHOP
N5	2 EXPANSION JOINT	4	
N6	BFP DISC PRESSURE GAUGE		
N7	BFP DISC CHECK		
N8	BFP DISCH ISOLATION		
O	CHEMICAL FEED QUILL		NONE
P	1 MW SPARE GASKETS		NONE
Q1	OVERFLOW VALVE		NONE
Q2	CONTROL VALVE		NONE
Q3	OVERFLOW PIPING		NONE
R1	LEVEL SWITCHES	1 1/2	NONE
R2	LEVEL SWITCH BRIDLE PIPING	1 1/2	NIBCO
S1	1 GAUGE GLASS	NONE	NONE
S2	1 GAUGE GLASS BRIDLE PIPING	1 1/2	NIBCO
T1			T-111
2	CONTROL PANEL		
	STARTERS	NONE	
1	PUMP STAND	14.2	

CLIENT: **KANSAS CITY DEAERATOR CO.**
6731 W. 121st STREET
OVERLAND PARK, KANSAS 66209
(913) 338-2111 FAX (913) 338-2144

JOB # SCALE DESIGNED DRAWN CHECKED DATE UTD
STD NTS MK GENI PC 6-09 6-09
2004 2004

TITLE: **GENERAL ARRANGEMENT PACKAGE - BDSPP3006**
MODEL: BDSPP18

DWG. NO.: **BDSPP018-3006-cr5-12**